

---

# REPLACEMENT PARTS MANUAL

---

## Wall Mount Air Conditioner

Models:

J42AY-A	J48AY-A	J60AY-A	J72AY-A
J42AY-B	J48AY-B	J60AY-B	J72AY-B
J42AY-C	J48AY-C	J60AY-C	J72AY-C

---

### Contents

Description	Page
External Parts	
♦ Exploded View .....	2
♦ Usage List .....	3
Internal Parts	
♦ Exploded View .....	4
♦ Usage List .....	5
Functional Components	
♦ Exploded View .....	6
♦ Usage List .....	7
Control Panel	
♦ Layout View .....	8
♦ Usage List .....	9
Blower Assembly	
♦ Exploded View .....	10
♦ Usage List .....	10

### General Notes

- Revised and/or additional pages may be issued from time to time.
- A complete and current manual consists of pages shown in the following contents section.

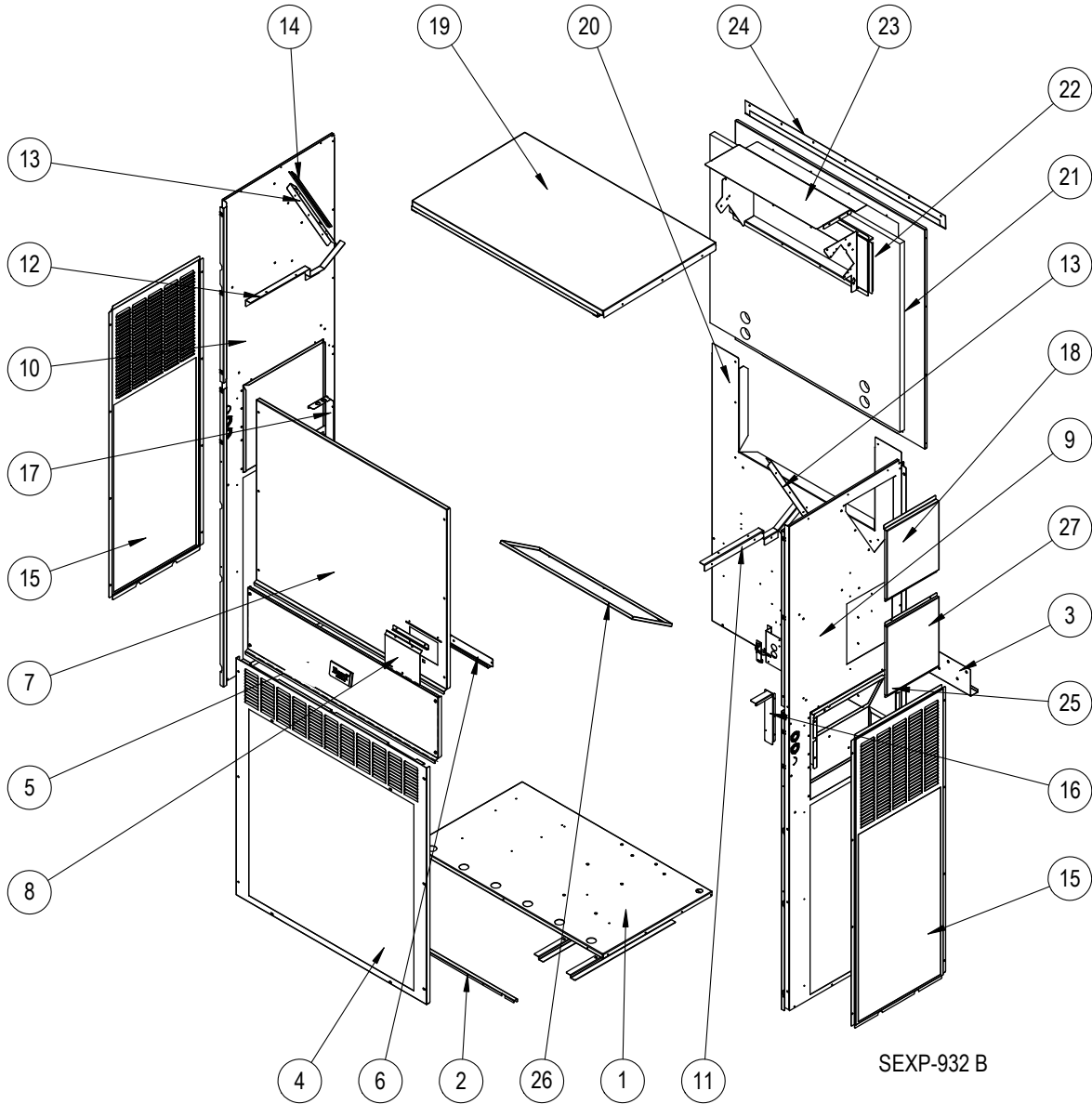
### Important

- Contact the installing and/or local distributor for all parts requirements. Make sure you have the complete model and serial number available from the unit rating plates.



Manual: 2110-1478  
Supersedes: **NEW**  
Date: 10-16-23

# EXTERNAL PARTS

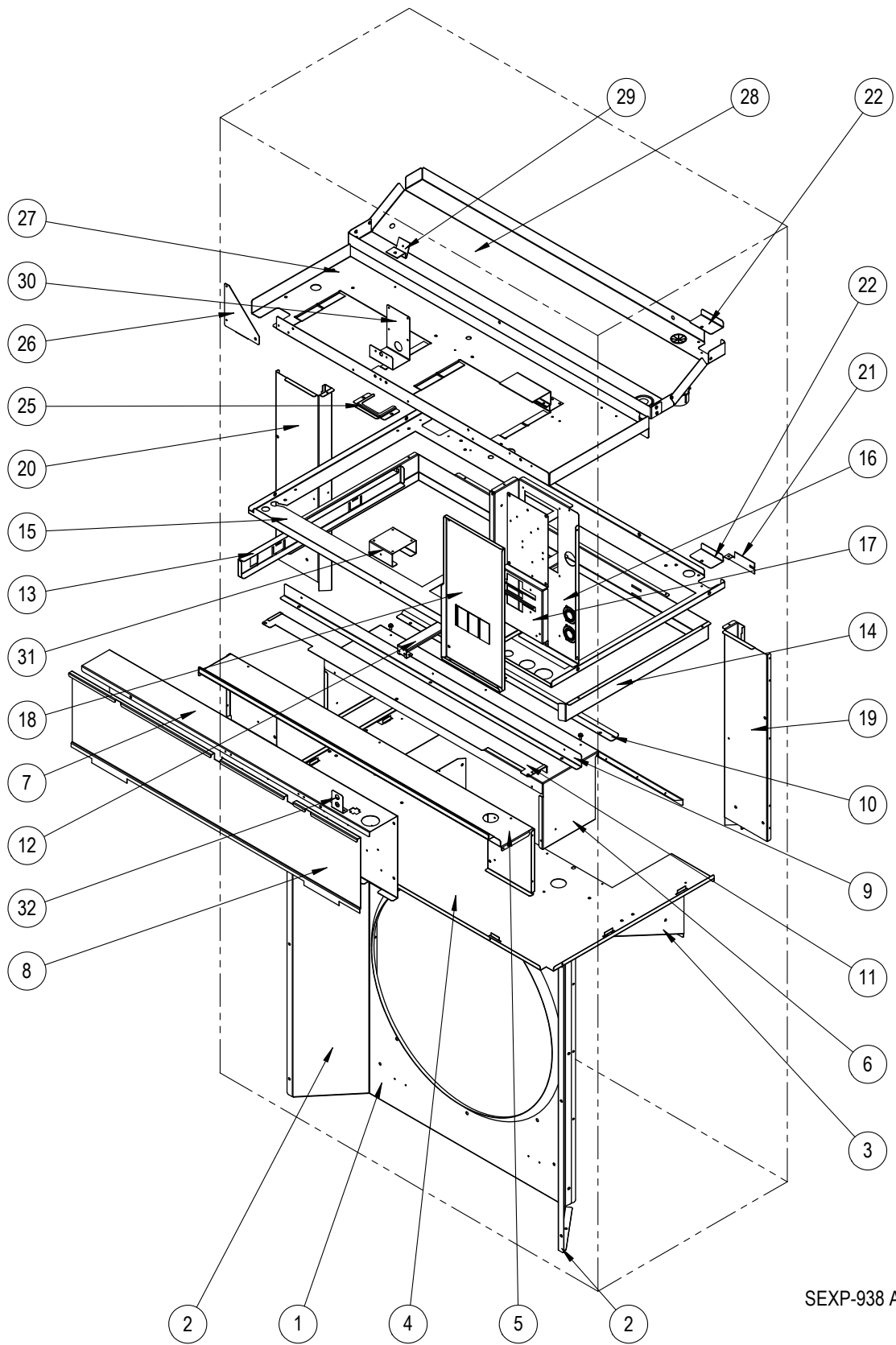


## EXTERNAL PARTS

Dwg No.	Part Number	Description	J42AY-A, B, C	J48AY-A, B, C	J60AY-A, B, C	J72AY-A, B, C
1	127-574BX	Unit Base	X	X	X	X
2	113-762BX	Front Base Bracket	X	X	X	X
3	113-140BX	Bottom Mounting Bracket	X	X	X	X
4	119-125-XBX	Front Grille	X	X		
4	119-127-XBX	Front Grille			X	X
5	533-352-XBX	Control Panel Cover (Outer)	X	X	X	X
6	165-608-XBX	Rain Channel	X	X	X	X
7	515-323-XBX	Upper Front	X	X		
7	515-324-XBX	Upper Front			X	X
8	153-717-XBX	Disconnect Access Door	X	X	X	X
9	501-1127-XBX	Right Side	X	X		
9	501-1130-XBX	Right Side			X	X
10	501-1054-XBX	Left Side	X	X		
10	501-1056-XBX	Left Side			X	X
11	105X1454BX	Right Support Angle	X	X	X	X
12	105Y1454BX	Left Support Angle	X	X	X	X
13	105-1457BX	Coil Support	2	2		
13	105-1455BX	Coil Support			2	2
14	147-055BX	Coil Support Offset	X	X		
14	147-054BX	Coil Support Offset			X	X
15	119-126-XBX	Side Grille	2	2		
15	119-128-XBX	Side Grille			2	2
16	105-1450BX	Right Control Panel Angle	X	X	X	X
17	105-1451BX	Left Control Panel Angle	X	X	X	X
18	543-221-XBX	Heater Access Cover	X	X	X	X
19	507-382-XBX	Top	X	X	X	X
20	109-412BX	Lower Back	X	X		
20	109-414BX	Lower Back			X	X
21	509-411BX	Upper Back	X	X		
21	509-413BX	Upper Back			X	X
22	111-299BX	Outlet Air Frame Assembly	X	X	X	X
23	535-129BX	Heat Shield	X	X	X	X
24	113-150-XBX	Top Rain Flashing	X	X	X	X
25	539-406BX	Fresh Air Damper Assembly	X	X	X	X
26	543-220BX	Exhaust Blank Off Plate	X	X	X	X
27	543-248-XBX	Access Cover	X	X	X	X
NS	5252-035BX	Solair Nameplate	X	X	X	X

NS – Not Shown

# INTERNAL PARTS

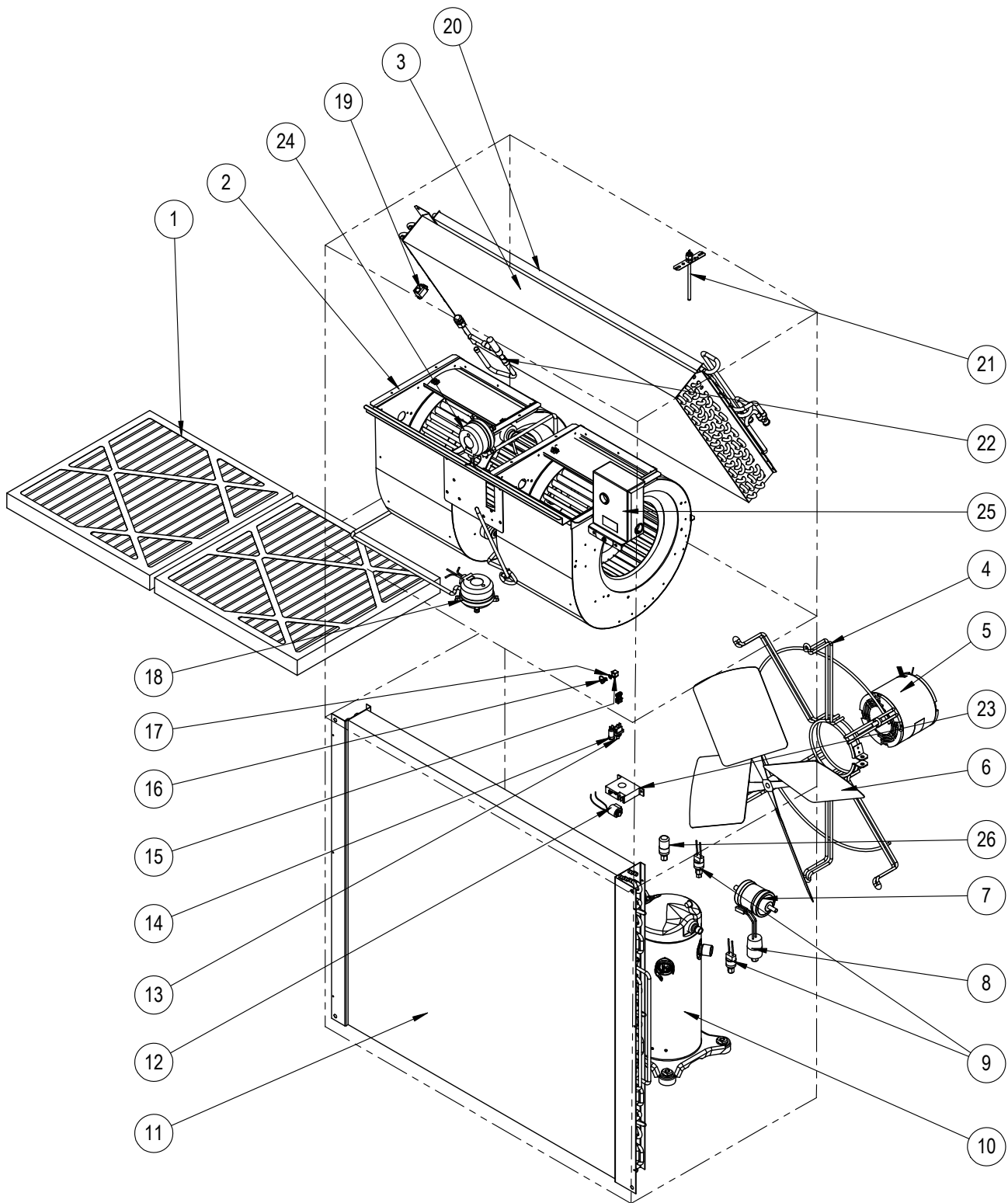


SEXP-938 A

## INTERNAL PARTS

Dwg No.	Part Number	Description	J42AY-A, B	J42AY-C	J48AY-A, B	J48AY-C	J60AY-A, B	J60AY-C	J72AY-A, B	J72AY-C
1	125-089BX	Fan Shroud	X	X	X	X				
1	125-091BX	Fan Shroud					X	X	X	X
2	125-090BX	Fan Shroud Side Access Cover	2	2	2	2				
2	125-092BX	Fan Shroud Side Access Cover					2	2	2	2
3	121-586BX	Condenser Partition Insert	X	X	X	X	X	X	X	X
4	121-585BX	Condenser Partition	X	X	X	X	X	X	X	X
5	521-630BX	Front Exhaust Partition	X	X	X	X	X	X	X	X
6	521-587BX	Exhaust Partition	X	X	X	X	X	X	X	X
7	Control Panel Assy.	See <b>Control Panel</b> on pages 8 and 9	X	X	X	X	X	X	X	X
8	133-330BX	Control Panel Cover (Inner)	X	X	X	X	X	X	X	X
9	105-1453BX	Front Vent Guide Rail	X	X	X	X	X	X	X	X
10	105-1452BX	Vent Guide Rail	X	X	X	X	X	X	X	X
11	135-409BX	Field Wire Shield	X	X	X	X	X	X	X	X
12	131-168BX	Filter Support Bracket	2	2	2	2	2	2	2	2
13	131-170BX	Filter Slide	X	X	X	X	X	X	X	X
14	131-169BX	Filter Rack Frame	X	X	X	X	X	X	X	X
15	121-583BX	Filter Partition	X	X	X	X	X	X	X	X
16	117-412BX	Upper Control Panel	X	X	X	X	X	X	X	X
17	127-575BX	Circuit Breaker Base	X		X		X		X	
17	127-585BX	Circuit Breaker Base - 460V		X		X		X		X
18	133-303BX	Upper Control Panel Cover	X		X		X		X	
18	133-304BX	Upper Control Panel Cover - 460V		X		X		X		X
19	135X393BX	Right Copper Chase	X	X	X	X	X	X	X	X
20	135Y393BX	Left Copper Chase	X	X	X	X	X	X	X	X
21	113-796BX	Copper Retainer	2	2	2	2	2	2	2	2
22	137-920BX	Copper Fill Plate	2	2	2	2	2	2	2	2
25	113-765BX	Grommet Retainer	X	X	X	X	X	X	X	X
26	141-492BX	Blower Partition Support	X	X	X	X	X	X	X	X
27	121-582BX	Blower Partition	X	X	X	X	X	X	X	X
28	523-161BX	Drain Pan	X	X	X	X	X	X	X	X
29	113-768BX	EEV mounting Bracket	X	X	X	X	X	X	X	X

# FUNCTIONAL COMPONENTS



SEXP-931

# FUNCTIONAL COMPONENTS

Dwg No.	Part Number	Description	J42AY-A	J42AY-B	J42AY-C	J48AY-A	J48AY-B	J48AY-C	J60AY-A	J60AY-B	J60AY-C	J72AY-A	J72AY-B	J72AY-C
1	7004-052	Air Filter 2" Merv 8 (20 x 20 x 2)	2	2	2	2	2	2	2	2	2	2	2	2
2	900-366-0155BX	Blower Assembly	X	X										
2	900-367-0156BX	Blower Assembly - 460V			X									
2	900-368-0157BX	Blower Assembly				X	X							
2	900-369-0158BX	Blower Assembly - 460V						X						
2	900-368-0159BX	Blower Assembly							X	X				
2	900-369-0160BX	Blower Assembly - 460V									X			
2	900-368-0161BX	Blower Assembly										X	X	
2	900-369-0162BX	Blower Assembly - 460V												X
3	917-0366BX	Evaporator Coil w/Distributor Assy.	X	X	X									
3	917-0370BX	Evaporator Coil w/Distributor Assy.				X	X	X						
3	917-0374BX	Evaporator Coil w/Distributor Assy.							X	X	X			
3	917-0378BX	Evaporator Coil w/Distributor Assy.										X	X	X
4	8200-004BX	Fan Motor Mount	X	X	X	X	X	X	X	X	X			
4	8200-049BX	Fan Motor Mount										X	X	X
5	8105-068BX	Condenser Motor	X	X		X	X		X	X				
5	8105-071BX	Condenser Motor - 460V			X			X			X			
5	8106-070BX	Condenser Motor										X	X	
5	8106-071BX	Condenser Motor - 460V												X
6	5151-060BX	Fan Blade	X	X	X	X	X	X	X	X	X			
6	5151-063BX	Fan Blade										X	X	X
7	5201-022BX	Filter Drier	X	X	X	X	X	X	X	X	X	X	X	X
8	CMA-39	Low Ambient Control (LAC) Kit	O	O	O	O	O	O	O	O	O	O	O	O
9	8406-142BX	High Pressure Switch	X	X	X	X	X	X	X	X	X	X	X	X
9	8406-140BX	Low Pressure Switch	X	X	X	X	X	X	X	X	X	X	X	X
10	8000-349BX	Compressor	X											
10	8000-350BX	Compressor		X										
10	8000-351BX	Compressor			X									
10	8000-332BX	Compressor				X								
10	8000-333BX	Compressor					X							
10	8000-334BX	Compressor						X						
10	8000-289BX	Compressor							X					
10	8000-292BX	Compressor								X				
10	8000-308BX	Compressor									X			
10	8000-403BX	Compressor										X		
10	8000-404BX	Compressor											X	
10	8000-405BX	Compressor												X
11	5051-222BX	Condenser Coil	X	X	X	X	X	X						
11	5051-223BX	Condenser Coil							X	X	X	X	X	X
15	1171-023	1/4 Turn Receptacle	X	X	X	X	X	X	X	X	X	X	X	X
16	1171-022	1/4 Turn Fastener	X	X	X	X	X	X	X	X	X	X	X	X
17	1171-024	1/4 Turn Retainer	X	X	X	X	X	X	X	X	X	X	X	X
22	800-0482BX	Distributor Assembly	X	X	X									
22	800-0483BX	Distributor Assembly				X	X	X						
22	800-0484BX	Distributor Assembly							X	X	X			
22	800-0454BX	Distributor Assembly										X	X	X
NS	5451-024	Tubing Isolation Grommet	2	2	2	2	2	2	2	2	2	2	2	2
NS	6031-009	Coremax Valve Core	2	2	2	2	2	2	2	2	2	2	2	2
NS	1171-028	Control Panel Door Clip	4	4	4	4	4	4	4	4	4	4	4	4
NS	1171-057	Control Panel Door Screw	4	4	4	4	4	4	4	4	4	4	4	4
NS	1171-027	Control Panel Door Screw Retainer	4	4	4	4	4	4	4	4	4	4	4	4

NS – Not Shown

X – Standard Component  
O – Optional Component





# CONTROL PANEL

Dwg No.	Part Number	Description	J42AY-A	J42AY-B	J42AY-C	J48AY-A	J48AY-B	J48AY-C	J60AY-A	J60AY-B	J60AY-C	J72AY-A	J72AY-B	J72AY-C
1	117-411BX	Control Panel	X	X	X	X	X	X	X	X	X	X	X	X
2	910-2061BX	Complete Low Voltage Box Assembly (Sheet metal, Terminal Strip, & Wire Harness)	X	X	X	X	X	X	X	X	X	X	X	X
3	135-394BX	Wire Shield	X	X	X	X	X	X	X	X	X	X	X	X
4	8611-140-3208BX	Cable Duct - 32.5"	X	X	X	X	X	X	X	X	X	X	X	X
5	8611-140-0608BX	Cable Duct - 6.5" x 1" wide	X	X	X	X	X	X	X	X	X	X	X	X
6	8611-244-0608BX	Cable Duct - 6.5" x 1.5" wide	X	X	X	X	X	X	X	X	X	X	X	X
8	8607-063BX	Low Voltage Terminal Strip - 18 term.	X	X	X	X	X	X	X	X	X	X	X	X
9	3000-1524BX	Vent Jumper Plug (used when no vent option)	X	X	X	X	X	X	X	X	X	X	X	X
11	8201-130BX	Blower Speed Relay	X	X	X	X	X	X	X	X	X	X	X	X
14	8607-017BX	Terminal Block (LAC Kit = CMA-39)	O	O	O	O	O	O	O	O	O	O	O	O
15	8607-042BX	Blower Speed Terminal Block	X	X	X	X	X	X	X	X	X	X	X	X
17	8201-171BX	Compressor Control Module	X	X	X	X	X	X	X	X	X	X	X	X
18	8407-068BX	Transformer	X	X		X	X	X	X	X		X	X	
18	8407-069BX	Transformer			X			X			X			X
19	8201-174BX	Phase Monitor		X	X		X	X		X	X		X	X
20	8552-079BX	Compressor Capacitor	X			X			X					
20	8552-089BX	Compressor Capacitor										X		
20	8552-097BX	Compressor Capacitor												
20	8552-005BX	Outdoor Motor Capacitor		X			X			X				X
20	8552-004BX	Outdoor Motor Capacitor			X			X			X		X	
21	8550-008BX	Capacitor Strap	X			X			X			X		
21	8550-003BX	Capacitor Strap		X	X		X	X		X	X		X	X
22	8551-004BX	Start Device (PTCR)	O	O	O	O	O	O	O	O	O	O	O	O
23	8401-034BX	Compressor Contactor	X			X			X			X		
23	8401-035BX	Compressor Contactor		X	X		X	X		X	X		X	X
NS	8615-040BX	Circuit Breaker 50A 2 Pole ①	O			O			O					
NS	8615-041BX	Circuit Breaker 60A 2 Pole ①										O		
NS	8615-042BX	Circuit Breaker 35A 3 Pole ①		O			O							
NS	8615-043BX	Circuit Breaker 40A 3 Pole ①							O					
NS	8615-045BX	Circuit Breaker 50A 3 Pole ①											O	
NS	8615-095BX	Toggle Disconnect			O			O			O			O
NS	4095-196	Wiring Diagram	X			X			X			X		
NS	4095-296	Wiring Diagram		X			X			X			X	
NS	4095-378	Wiring Diagram			X			X			X			X
NS	3000-1613BX	Blower Power Plug	X	X	X	X	X	X	X	X	X	X	X	X
NS	3000-1614BX	Blower Speed Plug	X	X	X	X	X	X	X	X	X	X	X	X
NS	3000-1222BX	Compressor Plug/Harness	X			X			X			X		
NS	3000-1230BX	Compressor Plug/Harness		X	X		X	X		X	X		X	X
NS	3003-053BX	Control Panel Wire Harness	X			X			X			X		
NS	3003-055BX	Control Panel Wire Harness		X	X		X	X		X	X		X	X
NS	3000-1608	Low Voltage Terminal Block Wire Harness	X	X	X	X	X	X	X	X	X	X	X	X

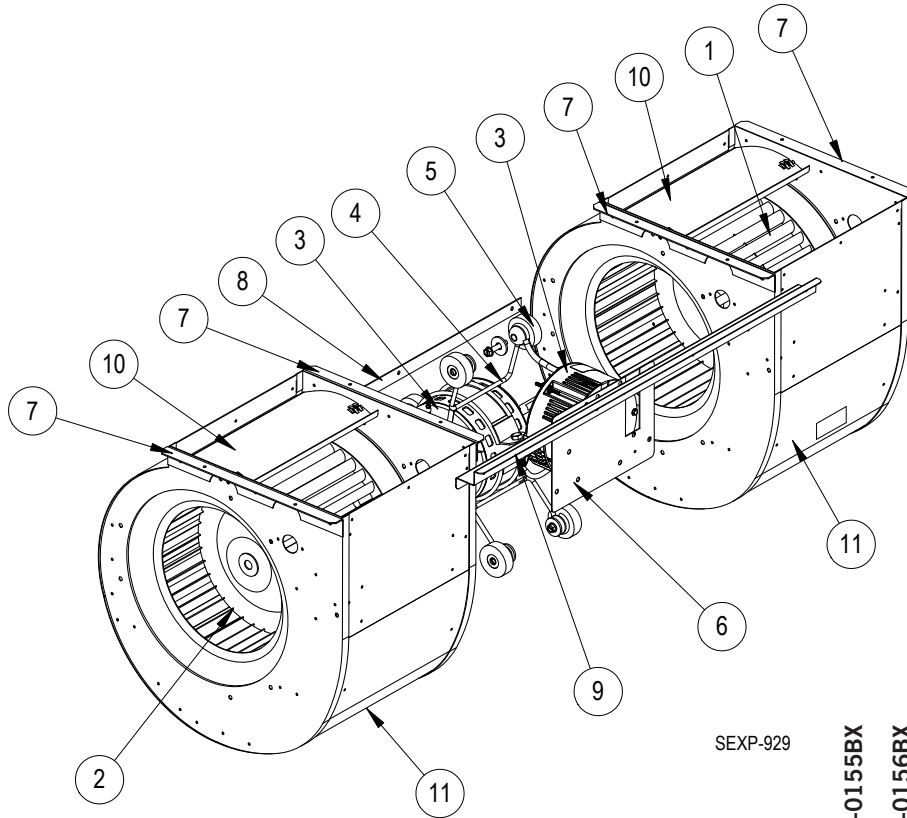
NS = Not Shown

X – Standard Component

① Circuit breakers listed are for units without electric heat, "0Z" models. See heater replacement parts manual for units with electric heat.

O – Optional Component

# BLOWER ASSEMBLY



SEXP-929

Dwg No.	Part Number	Description	900-366-0155BX	900-367-0156BX	900-368-0157BX	900-368-0159BX	900-368-0161BX	900-369-0158BX	900-369-0160BX	900-369-0162BX
1	5152-011BX	10 Inch Wheel (CW)	X	X	X	X	X	X	X	X
2	5152-012BX	10 Inch Wheel (CW)	X	X	X	X	X	X	X	X
3	8106-068-0155BX	Programmed Blower Motor & Control (230/208V)	X							
3	8106-069-0156BX	Programmed Blower Motor & Control (460V)		X						
3	8107-028-0157BX	Programmed Blower Motor & Control (230/208V)			X					
3	8107-028-0159BX	Programmed Blower Motor & Control (230/208V)				X				
3	8107-028-0161BX	Programmed Blower Motor & Control (230/208V)					X			
3	8107-029-0158BX	Programmed Blower Motor & Control (460V)						X		
3	8107-029-0160BX	Programmed Blower Motor & Control (460V)							X	
3	8107-029-0162BX	Programmed Blower Motor & Control (460V)								X
3	C8106-068-0155	Programmed Control Only (230/208V)	0							
3	C8106-069-0156	Programmed Control Only (460V)		0						
3	C8107-028-0157	Programmed Control Only (230/208V)			0					
3	C8107-028-0159	Programmed Control Only (230/208V)				0				
3	C8107-028-0161	Programmed Control Only (230/208V)					0			
3	C8107-029-0158	Programmed Control Only (460V)						0		
3	C8107-029-0160	Programmed Control Only (460V)							0	
3	C8107-029-0162	Programmed Control Only (460V)								0
4	8200-040BX	Motor Mount	X	X	X	X	X	X	X	X
5	5451-011	Grommets	6	6	6	6	6	6	6	6
6	112-775BX	Motor Control Bracket	X	X	X	X	X	X	X	X
7	105-880BX	Side Angle	4	4	4	4	4	4	4	4
8	105-881BX	Back Brace	X	X	X	X	X	X	X	X
9	103-541BX	Front Mounting Offset	X	X	X	X	X	X	X	X
10	144-166BX	Diffuser	2	2	2	2	2	2	2	2
11	151-101BX	Blower Housing	2	2	2	2	2	2	2	2