

---

# REPLACEMENT PARTS MANUAL

---

## Wall-Mounted Packaged Air Conditioner

Models:

J30AY-A	J30LY-A	J36AY-A	J36LY-A
J30AY-B	J30LY-B	J36AY-B	J36LY-B
J30AY-C	J30LY-C	J36AY-C	J36LY-C

---

### Contents

Description	Page	Description	Page
Cabinet Components – Right Hand Models		Blower Assembly – Right Hand Models	
♦ Exploded View .....	2	♦ Exploded View .....	14
♦ Usage List .....	3	♦ Usage List .....	14
Cabinet Components – Left Hand Models		Blower Assembly – Left Hand Models	
♦ Exploded View .....	4	♦ Exploded View .....	15
♦ Usage List .....	5	♦ Usage List .....	15
Functional Components – Right Hand Models			
♦ Exploded View .....	6		
♦ Usage List .....	7		
Functional Components – Left Hand Models			
♦ Exploded View .....	8		
♦ Usage List .....	9		
Control Panel – Right Hand Models			
♦ Exploded View .....	10		
♦ Usage List .....	11		
Control Panel – Left Hand Models			
♦ Exploded View .....	12		
♦ Usage List .....	13		

### General Notes

- Revised and/or additional pages may be issued from time to time.
- A complete and current manual consists of pages shown in the following contents section.

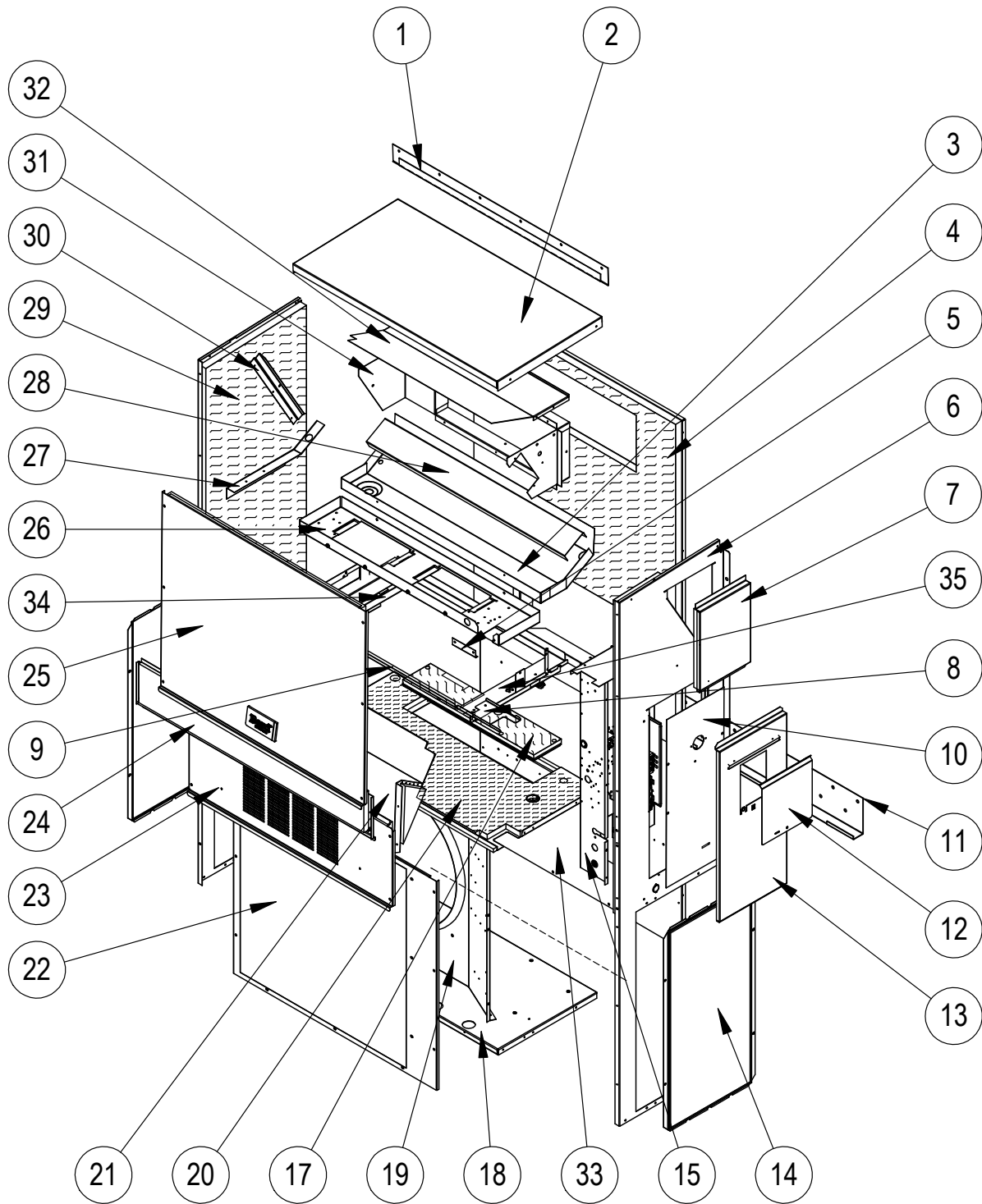
### Important

- Contact the installing and/or local Bard distributor for all parts requirements. Make sure to have the complete model and serial number available from the unit rating plates.



Manual: 2110-1477A  
Supersedes: 2110-1477  
Date: 1-3-24

# CABINET COMPONENTS - RIGHT

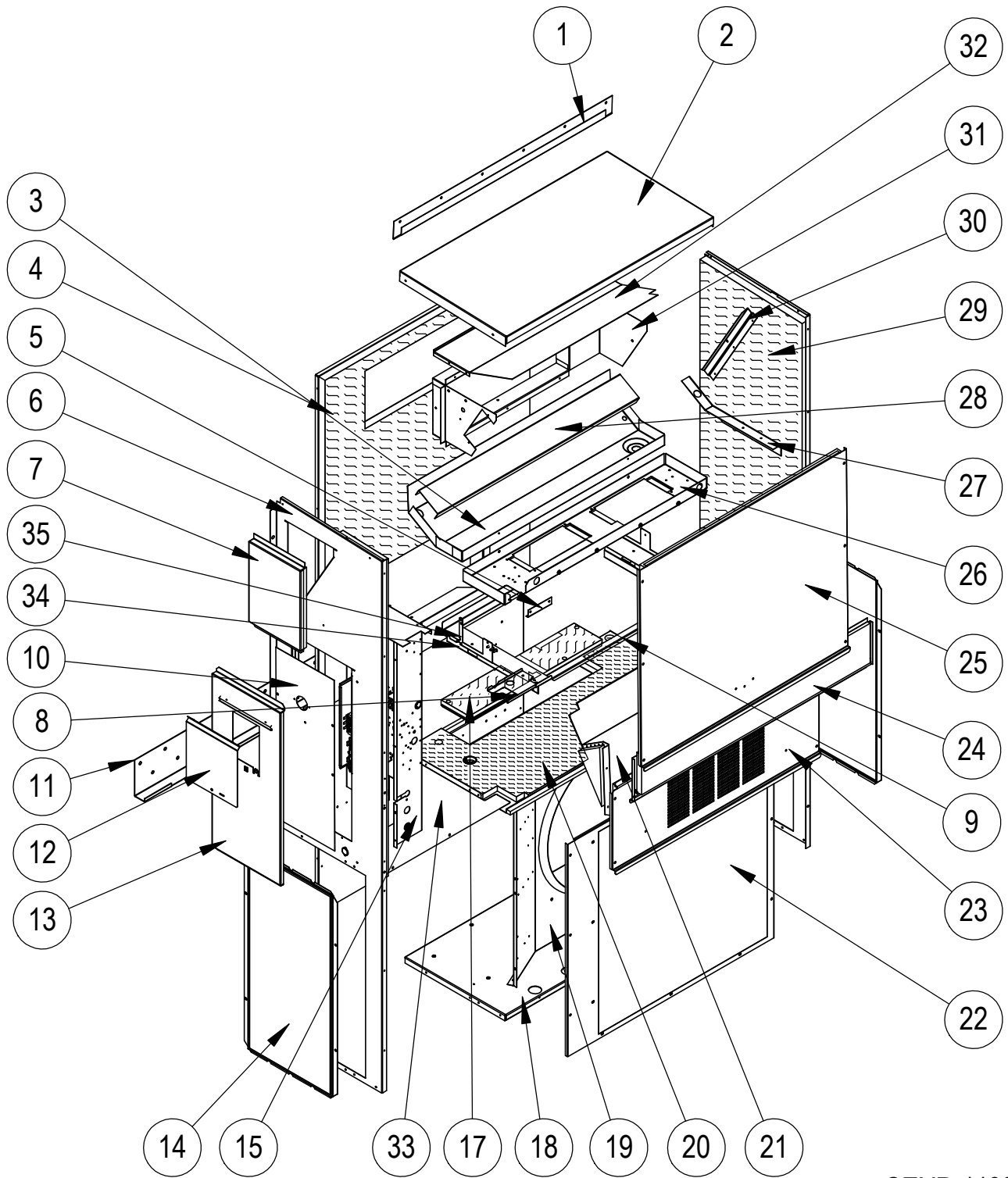


SEXP-1102

## CABINET COMPONENTS – RIGHT

Dwg No.	Part Number	Description	J30AY-A	J30AY-B	J30AY-C	J36AY-A	J36AY-B	J36AY-C
1	113-149-XBX	Top Rain Flashing	X	X	X	X	X	X
2	507-308-XBX	Top	X	X	X	X	X	X
3	123-127BX	Drain Pan	X	X	X	X	X	X
4	509-451BX	Upper Back	X	X	X	X	X	X
5	105-1302BX	Grommet Retainer	X	X	X	X	X	X
6	501-933-XBX	Right Side	X	X	X	X	X	X
7	543-175-XBX	Right Side Cover Plate (Outer)	X	X	X	X	X	X
8	137X1101BX	Filter Fill Plate	X	X	X	X	X	X
9	131-194BX	Filter Partition Bracket	X	X	X	X	X	X
10	132-104BX	Control Panel Cover (Inner)	X	X		X	X	
10	132-172BX	Control Panel Cover (Inner)			X			X
11	113-140BX	Bottom Mounting Bracket	X	X	X	X	X	X
12	153-218-XBX	Disconnect Access Door	X	X	X	X	X	X
13	533-228-XBX	Control Panel Cover (Outer)	X	X	X	X	X	X
14	118-124-XBX	Side Grille	2	2	2	2	2	2
15	Control Panel Assembly	See <b>Control Panel – Right</b> on pages 10 – 11	X	X	X	X	X	X
17	536-498BX	Cond. Partition Block Off Plate	X	X	X	X	X	X
18	127-471BX	Lower Base	X	X	X	X	X	X
19	125-081BX	Fan Shroud	X	X	X	X	X	X
20	521X527BX	Condenser Partition	X	X	X	X	X	X
21	FAD-NE3	Fresh Air Damper Assembly	X	X	X	X	X	X
22	118-103-XBX	Condenser Grille	X	X	X	X	X	X
23	553-523-XBX	Vent Option Door	X	X	X	X	X	X
23	553-540-XBX	Vent Option Door with ERV	X	X	X	X	X	X
23	553-665-XBX	Vent Option Door with CRV or ECON-S	X	X	X	X	X	X
24	553-524-XBX	Filter Door	X	X	X	X	X	X
25	514-241-XBX	Upper Front	X	X	X	X	X	X
26	121X467BX	Blower Partition	X	X	X	X	X	X
27	105X850BX	Side Support	X	X	X	X	X	X
28	137-685BX	Bottom Evaporator Fill	X	X	X	X	X	X
29	501-934-XBX	Left Side	X	X	X	X	X	X
30	147-044BX	Evaporator Support	X	X	X	X	X	X
31	111X247BX	Outlet Air Frame Assembly	X	X	X	X	X	X
32	135X123BX	Heat Shield	X	X	X	X	X	X
33	109-450BX	Lower Back	X	X	X	X	X	X
34	131-190BX	Filter Tray Angle	X	X	X	X	X	X
35	131X189BX	Filter Partition	X	X	X	X	X	X
NS	135-329BX	Air Baffle	X	X	X	X	X	X
NS	5252-035	Solair Nameplate	X	X	X	X	X	X

# CABINET COMPONENTS - LEFT

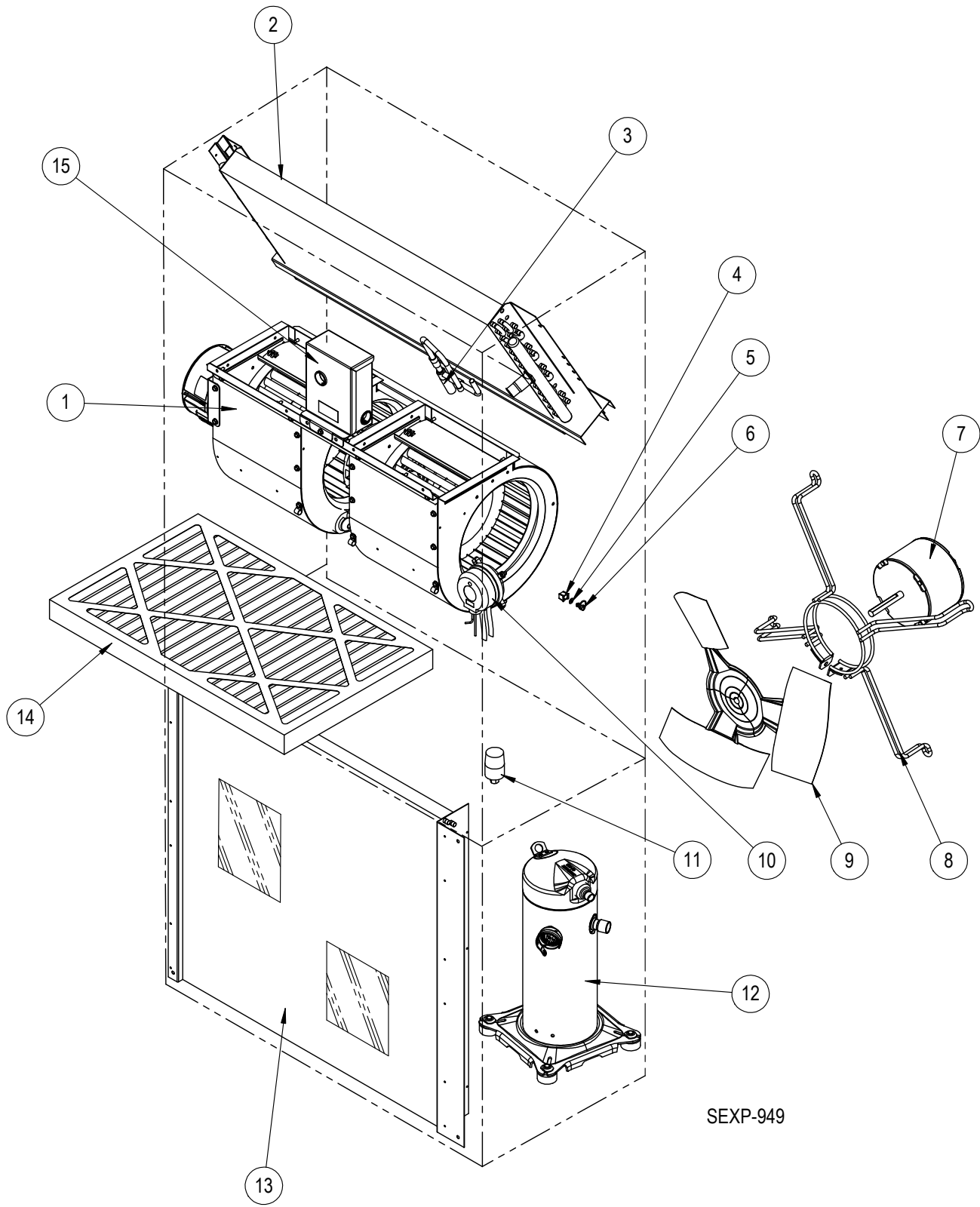


SEXP-1103

## CABINET COMPONENTS – LEFT

Dwg. No.	Part Number	Description	J30LY-A	J30LY-B	J30LY-C	J36LY-A	J36LY-B	J36LY-C
1	113-149-XBX	Top Rain Flashing	X	X	X	X	X	X
2	507-308-XBX	Top	X	X	X	X	X	X
3	123-130BX	Drain Pan	X	X	X	X	X	X
4	509-451BX	Upper Back	X	X	X	X	X	X
5	105-1302BX	Grommet Retainer	X	X	X	X	X	X
6	501-935-XBX	Right Side	X	X	X	X	X	X
7	543-175-XBX	Right Side Cover Plate (Outer)	X	X	X	X	X	X
8	137Y1101BX	Filter Fill Plate	X	X	X	X	X	X
9	131-194BX	Filter Partition Bracket	X	X	X	X	X	X
10	132-104BX	Control Panel Cover (Inner)	X	X		X	X	
10	132-172BX	Control Panel Cover (Inner)			X			X
11	113-140BX	Bottom Mounting Bracket	X	X	X	X	X	X
12	153-218-XBX	Disconnect Access Door	X	X	X	X	X	X
13	533-228-XBX	Control Panel Cover (Outer)	X	X	X	X	X	X
14	118-124-XBX	Side Grille	2	2	2	2	2	2
15	Control Panel Assembly	See <b>Control Panel – Left</b> on pages 12 & 13	X	X	X	X	X	X
17	536-498BX	Cond. Partition Block Off Plate	X	X	X	X	X	X
18	127-472BX	Lower Base	X	X	X	X	X	X
19	125-081BX	Fan Shroud	X	X	X	X	X	X
20	521Y527BX	Condenser Partition	X	X	X	X	X	X
21	FAD-NE3	Fresh Air Damper Assembly	X	X	X	X	X	X
22	118-104-XBX	Condenser Grille	X	X	X	X	X	X
23	553-523-XBX	Vent Option Door	X	X	X	X	X	X
24	553-524-XBX	Filter Door	X	X	X	X	X	X
25	514-241-XBX	Upper Front	X	X	X	X	X	X
26	121Y467BX	Blower Partition	X	X	X	X	X	X
27	105Y850BX	Side Support	X	X	X	X	X	X
28	137-685BX	Bottom Evaporator Fill	X	X	X	X	X	X
29	501-936-XBX	Left Side	X	X	X	X	X	X
30	147-044BX	Evaporator Support	X	X	X	X	X	X
31	111Y030BX	Outlet Air Frame Assembly	X	X	X	X	X	X
32	135Y123BX	Heat Shield	X	X	X	X	X	X
33	109-450BX	Lower Back	X	X	X	X	X	X
34	131-190BX	Filter Tray Angle	X	X	X	X	X	X
35	131Y189BX	Filter Partition	X	X	X	X	X	X
NS	135-329BX	Air Baffle	X	X	X	X	X	X
NS	5252-035	Solair Nameplate	X	X	X	X	X	X

# FUNCTIONAL COMPONENTS – RIGHT



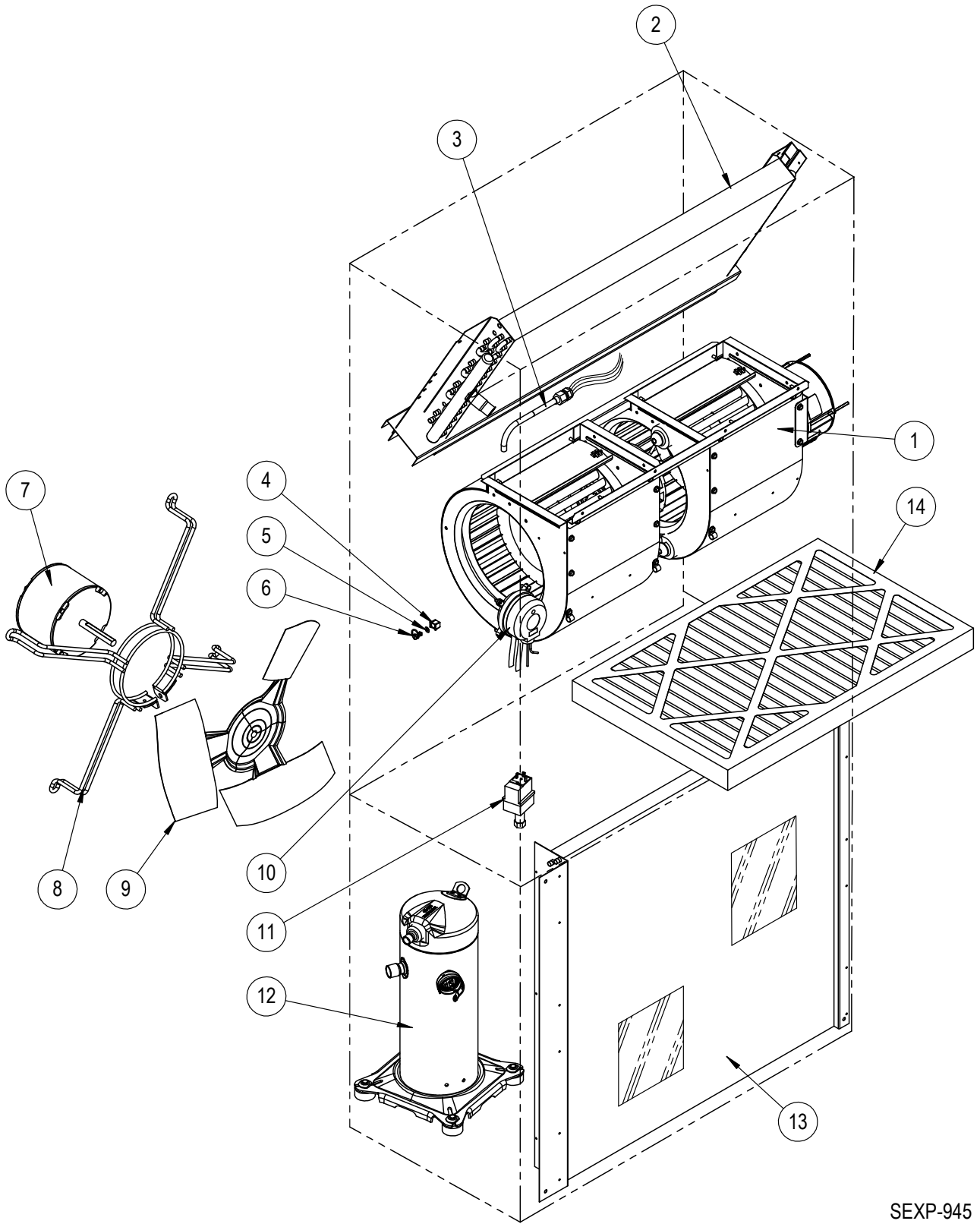
## FUNCTIONAL COMPONENTS – RIGHT

Dwg No.	Part Number	Description	J30AY-A	J30AY-B	J30AY-C	J36AY-A	J36AY-B	J36AY-C
1	900-360-0150BX	Blower Assembly	X	X				
1	900-361-0151BX	Blower Assembly			X			
1	900-360-0152BX	Blower Assembly				X	X	
1	900-361-0153BX	Blower Assembly						X
2	917-0355BX	Evaporator Coil w/Distributor Assy..	X	X	X			
2	917-0357BX	Evaporator Coil w/Distributor Assy.				X	X	X
3	800-0456BX	Distributor Assembly				X	X	X
3	800-0479BX	Distributor Assembly	X	X	X			
4	1171-023	1/4" Receptacle	X	X	X	X	X	X
5	1171-024	1/4" Turn Retainer	X	X	X	X	X	X
6	1171-022	1/4" Turn Fastener	X	X	X	X	X	X
7	8103-029BX	Condenser Motor	X	X		X	X	
7	8103-030BX	Condenser Motor			X			X
8	8200-001BX	Fan Motor Mount	X	X	X	X	X	X
9	5151-045BX	Fan Blade	X	X	X	X	X	X
10	CMC-31	Dirty Filter Switch Kit	X	X	X	X	X	X
11	CMA-41	Low Ambient Control (Screw On)	0	0	0	0	0	0
12	8000-277BX	Compressor	X					
12	8000-365BX	Compressor		X				
12	8000-366BX	Compressor			X			
12	8000-278BX	Compressor				X		
12	8000-283BX	Compressor					X	
12	8000-342BX	Compressor						X
13	5051-203BX	Condenser Coil	X	X	X			
13	5051-202BX	Condenser Coil				X	X	X
14	7004-026	Air Filter 2" Pleated (16x30x2)	X	X	X	X	X	X
14	7004-019	Air Filter 1" Throw-Away (16x30x1)	0	0	0	0	0	0
14	7003-031	Air Filter 1" Washable(16x30x1)	0	0	0	0	0	0
14	7004-048	Air Filter 2" Pleated MERV 11 (16x30x2)	0	0	0	0	0	0
14	7004-062	Air Filter 2" Pleated MERV 13 (16x30x2)	0	0	0	0	0	0
NS	8406-142BX	High Pressure Switch (Screw On)	X	X	X	X	X	X
NS	8406-140BX	Low Pressure Switch (Screw On)	X	X	X	X	X	X
NS	5201-021BX	Filter Drier	X	X	X	X	X	X
NS	5451-024	Tubing Isolation Grommet	2	2	2	2	2	2
NS	6031-009	Coremax Valve Core	2	2	2	2	2	2
NS	1171-028	Filter Door Clip	2	2	2	2	2	2
NS	1171-057	Filter Door Screw	2	2	2	2	2	2
NS	1171-027	Filter Door Screw Retainer	2	2	2	2	2	2
NS	CMC-29	Freeze Thermostat Kit	X	X	X	X	X	X

NS – Not Shown

X – Standard Component  
O – Optional Component

# FUNCTIONAL COMPONENTS - LEFT



SEXP-945



## FUNCTIONAL COMPONENTS – LEFT

Dwg No.	Part Number	Description	J30LY-A	J30LY-B	J30LY-C	J36LY-A	J36LY-B	J36LY-C
1	900-364-0150BX	Blower Assembly	X	X				
1	900-365-0151BX	Blower Assembly			X			
1	900-364-0152BX	Blower Assembly				X	X	
1	900-365-0153BX	Blower Assembly						X
2	917-0355BX	Evaporator Coil w/Distributor Assy.	X	X	X			
2	917-0357BX	Evaporator Coil w/Distributor Assy.				X	X	X
3	800-0456BX	Distributor Assembly				X	X	X
3	800-0479BX	Distributor Assembly	X	X	X			
4	1171-023	1/4" Receptacle	X	X	X	X	X	X
5	1171-024	1/4" Turn Retainer	X	X	X	X	X	X
6	1171-022	1/4" Turn Fastener	X	X	X	X	X	X
7	8103-029BX	Condenser Motor	X	X		X	X	
7	8103-030BX	Condenser Motor			X			X
8	8200-001BX	Fan Motor Mount	X	X	X	X	X	X
9	5151-045BX	Fan Blade	X	X	X	X	X	X
10	CMA-31	Dirty Filter Switch Kit	X	X	X	X	X	X
11	CMA-41	Low Ambient Control (Screw On)	O	O	O	O	O	O
12	8000-277BX	Compressor	X					
12	8000-365BX	Compressor		X				
12	8000-366BX	Compressor			X			
12	8000-278BX	Compressor				X		
12	8000-283BX	Compressor					X	
12	8000-342BX	Compressor						X
13	5051-203BX	Condenser Coil	X	X	X			
13	5051-202BX	Condenser Coil				X	X	X
14	7004-026	Air Filter 2" Pleated (16x30x2)	X	X	X	X	X	X
14	7004-019	Air Filter 1" Throw-Away (16x30x1)	O	O	O	O	O	O
14	7003-031	Air Filter 1" Washable (16x30x1)	O	O	O	O	O	O
14	7004-048	Air Filter 2" Pleated – MERV 11 (16x30x2)	O	O	O	O	O	O
14	7004-062	Air Filter 2" Pleated – MERV 13 (16x30x2)	O	O	O	O	O	O
NS	8406-142BX	High Pressure Switch (Screw On)	X	X	X	X	X	X
NS	8406-140BX	Low Pressure Switch (Screw On)	X	X	X	X	X	X
NS	5201-021BX	Filter Drier	X	X	X	X	X	X
NS	5451-024	Tubing Isolation Grommet	X	X	X	X	X	X
NS	6031-009	Coremax Valve Core	X	X	X	X	X	X
NS	1171-028	Filter Door Clip	X	X	X	X	X	X
NS	1171-057	Filter Door Screw	X	X	X	X	X	X
NS	1171-027	Filter Door Screw Retainer	X	X	X	X	X	X
NS	CMC-29	Freeze Thermostat Kit	X	X	X	X	X	X

NS – Not Shown

X – Standard Component  
O – Optional Component



## CONTROL PANEL - RIGHT

Dwg No.	Part Number	Description	J30AY-A	J30AY-B	J30AY-C	J36AY-A	J36AY-B	J36AY-C
1	117X137BX	Control Panel Top	X	X	X	X	X	X
2	117X407BX	Control Panel	X	X	X	X	X	X
3	8407-068BX	Transformer	X	X		X	X	
3	8407-069BX	Transformer			X			X
4	8611-006	Ground Terminal	X	X	X	X	X	X
5	8401-033BX	Compressor Contactor	X			X		
5	8401-035BX	Compressor Contactor		X	X		X	X
6	135-122BX	Wire Shield	X	X	X	X	X	X
7	8201-176BX	Compressor Control Module	X	X	X	X	X	X
9	8607-017BX	Terminal Block	O	O	O	O	O	O
10	8552-052BX	Compressor Capacitor	X			X		
10	8552-002BX	Outdoor Motor Capacitor		X	X		X	X
11	8201-130BX	Alarm Relay	O	O	O	O	O	O
12	8551-004BX	Start Device (PTCR)	O			O		
13	8607-063BX	Low Voltage Terminal Strip	X	X	X	X	X	X
14	8611-140-1400	Cable Duct – 14" Piece	X	X	X	X	X	X
14	8611-140-0500	Cable Duct – 5" Piece	X	X	X	X	X	X
15	8201-174BX	Phase Monitor		X	X		X	X
16	8607-042	Blower Speed Terminal	X	X	X	X	X	X
17	8201-130BX	Blower Control Relay	X	X	X	X	X	X
18	141-595BX	Plug Support Bracket	X	X	X	X	X	X
NS	8615-038BX	Circuit Breaker 35A 2 Pole ①	O			O		
NS	8615-054BX	Circuit Breaker 20A 3 Pole ①		O				
NS	8615-051BX	Circuit Breaker 25A 3 Pole ①					O	
NS	8615-095BX	Toggle Disconnect ①			O			O
NS	4213-124	Wiring Diagram	X			X		
NS	4213-224	Wiring Diagram		X			X	
NS	4213-324	Wiring Diagram			X			X
NS	3000-1598BX	Blower Power Plug	X	X	X	X	X	X
NS	3000-1599BX	Blower Speed Plug	X	X	X	X	X	X
NS	3000-1524BX	Vent Jumper Plug	X	X	X	X	X	X
NS	3000-1224BX	Compressor Plug/Harness	X			X		
NS	3000-1231BX	Compressor Plug/Harness		X	X		X	X
NS	3003-126BX	Control Panel Harness	X			X		
NS	3003-127BX	Control Panel Harness		X	X		X	X
NS	3000-1608BX	Low Voltage Terminal Block Harness	X	X	X	X	X	X
NS	910-2047BX	Complete Low Voltage Box Assembly (Sheet Metal, LVTS & Wire Harness)	X	X	X	X	X	X

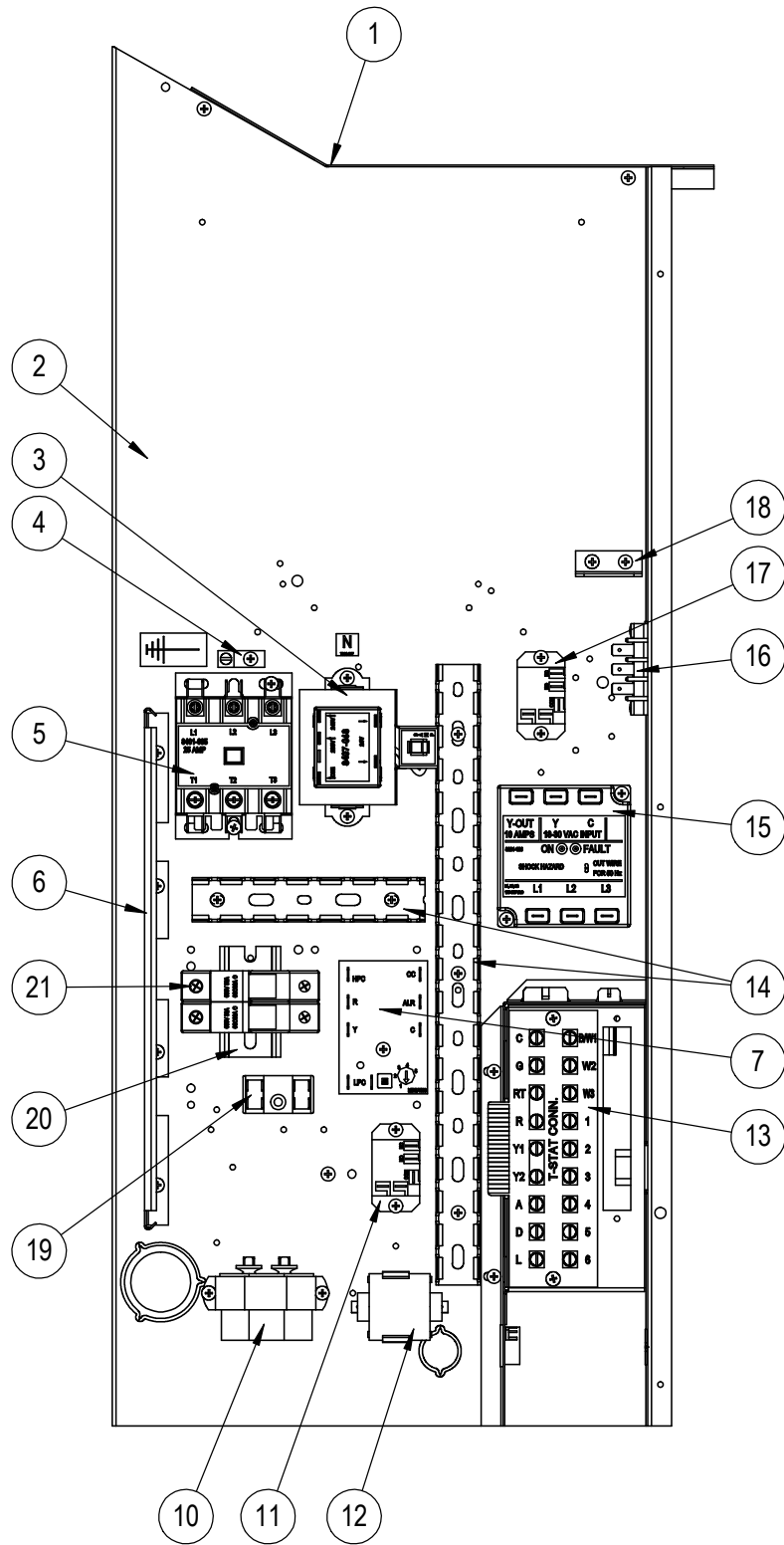
NS = Not Shown

① Circuit breakers listed are for units without electric heat, "OZ" models. See heater replacement parts manual for units with electric heat.

X – Standard Component

O – Optional Component

# CONTROL PANEL - LEFT



SEXP-947 A

## CONTROL PANEL – LEFT

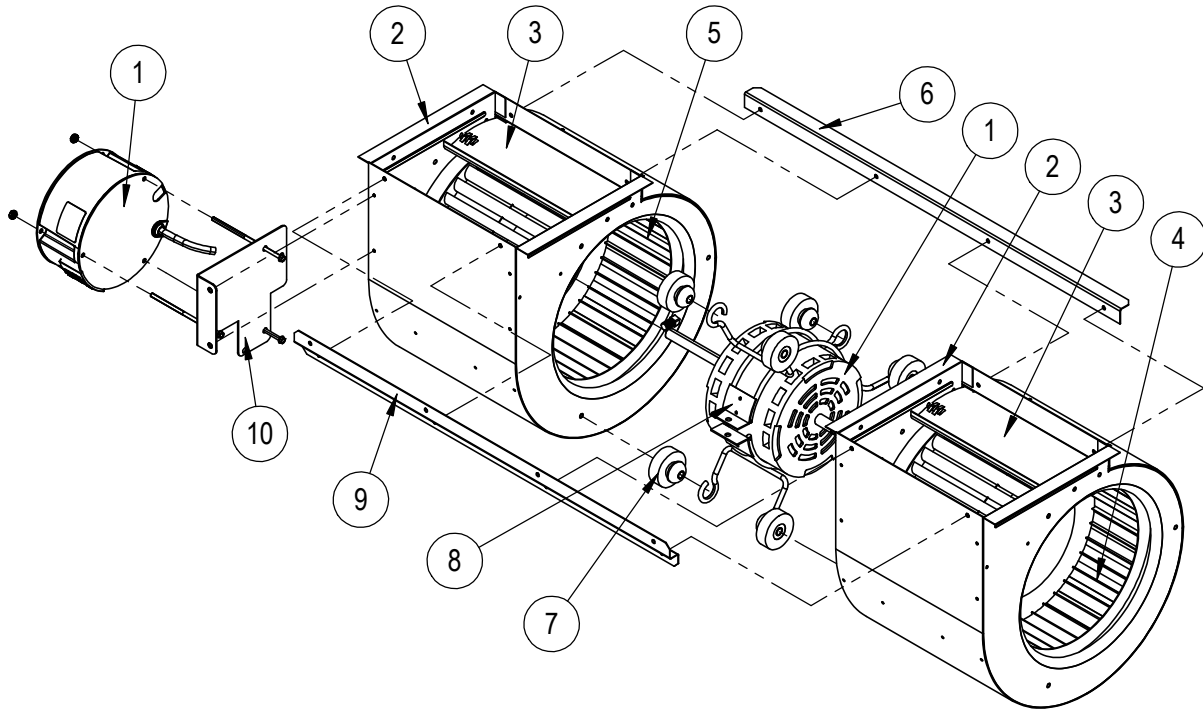
Dwg No.	Part Number	Description	J30LY-A	J30LY-B	J30LY-C	J36LY-A	J36LY-B	J36LY-C
1	117Y137BX	Control Panel Top	X	X	X	X	X	X
2	117Y407BX	Control Panel	X	X	X	X	X	X
3	8407-068BX	Transformer	X	X		X	X	
3	8407-069BX	Transformer			X			X
4	8611-006	Ground Terminal	X	X	X	X	X	X
5	8401-033BX	Compressor Contactor	X			X		
5	8401-035BX	Compressor Contactor		X	X		X	X
6	135-122BX	Wire Shield	X	X	X	X	X	X
7	8201-176BX	Compressor Control Module	X	X	X	X	X	X
9	8607-017BX	Terminal Block	O	O	O	O	O	O
10	8552-052BX	Compressor Capacitor	X			X		
10	8552-002BX	Outdoor Motor Capacitor		X	X		X	X
11	8201-062BX	Alarm Relay	O	O	O	O	O	O
12	8551-004BX	Start Device (PTCR)	O	O	O	O	O	O
13	8607-062BX	Low Voltage Terminal Strip	X	X	X	X	X	X
14	8611-140-1400	Cable Duct – 14" Piece	X	X	X	X	X	X
14	8611-140-0500	Cable Duct – 5" Piece	X	X	X	X	X	X
15	8201-174BX	Phase Monitor		X	X		X	X
16	8607-042	Blower Speed Terminal	X	X	X	X	X	X
17	8201-130BX	Blower Control Relay	X	X	X	X	X	X
18	141-595BX	Plug Support Bracket	X	X	X	X	X	X
NS	8615-038BX	Circuit Breaker 35A 2 Pole ①	O			O		
NS	8615-054BX	Circuit Breaker 20A 3 Pole ①		O				
NS	8615-052BX	Circuit Breaker 30A 3 Pole ①					O	
NS	8615-067BX	Toggle Disconnect ①			O			O
NS	4213-124	Wiring Diagram	X			X		
NS	4213-224	Wiring Diagram		X			X	
NS	4213-324	Wiring Diagram			X			X
NS	3000-1598BX	Blower Power Plug	X	X	X	X	X	X
NS	3000-1599BX	Blower Speed Plug	X	X	X	X	X	X
NS	3000-1524BX	Vent Jumper Plug	X	X	X	X	X	X
NS	3000-1224BX	Compressor Plug/Harness	X			X		
NS	3000-1231BX	Compressor Plug/Harness		X	X		X	X
NS	3003-126BX	Control Panel Harness	X			X		
NS	3003-127BX	Control Panel Harness		X	X		X	X
NS	3000-1608BX	Low Voltage Terminal Block Harness	X	X	X	X	X	X
NS	910-2048BX	Complete Low Voltage Box Assembly (Sheet Metal, LVTS & Wire Harness)	X	X	X	X	X	X

NS = Not Shown

① Circuit breakers listed are for units without electric heat, "OZ" models. See heater replacement parts manual for units with electric heat.

X – Standard Component  
O – Optional Component

# BLOWER ASSEMBLY – RIGHT

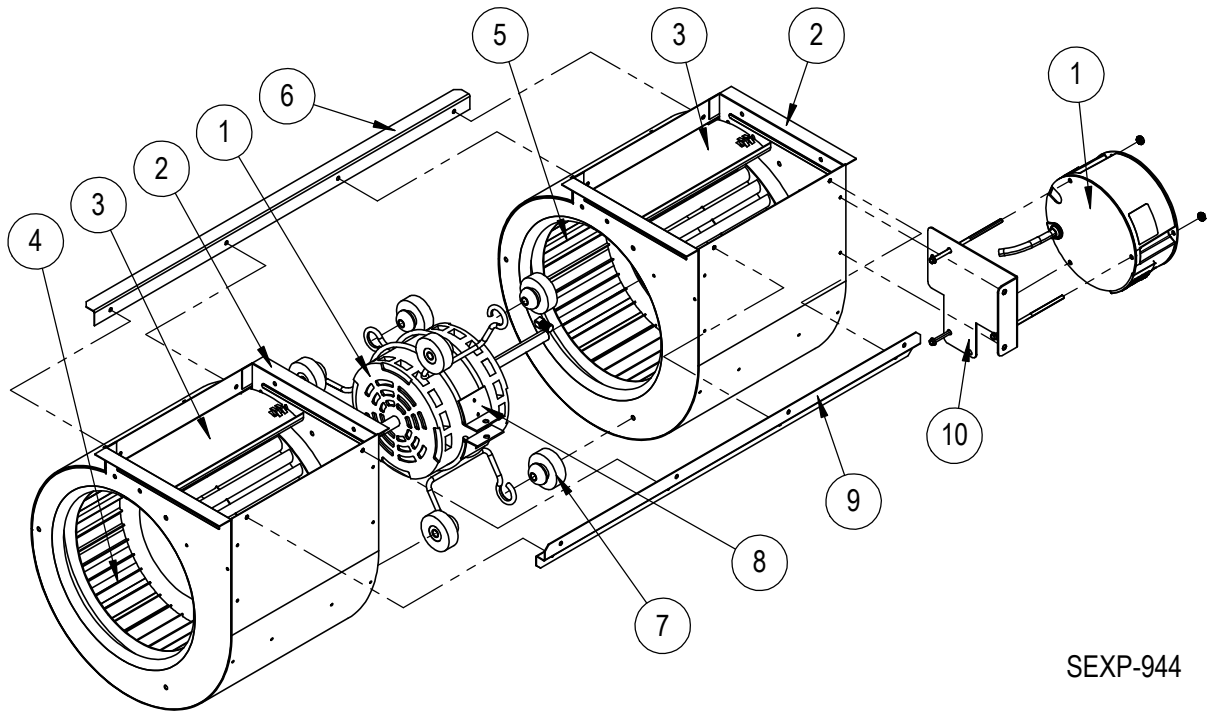


SEXP-909

Dwg No.	Part Number	Description	900-360-0150BX	900-360-0152BX	900-361-0151BX	900-361-0153BX
1	8106-068-0150BX	Blower Motor & Control (230/208V)	X			
1	8106-068-0152BX	Blower Motor & Control (230/208V)		X		
1	8106-069-0151BX	Blower Motor & Control (460V)			X	
1	8106-069-0153BX	Blower Motor & Control (460V)				X
1	C8106-068-0150	Programmed Control Only (230/208V)	0			
1	C8106-068-0152	Programmed Control Only (230/208V)		0		
1	C8106-069-0151	Programmed Control Only (460V)			0	
1	C8106-069-0153	Programmed Control Only (460V)				0
2	151-111BX	Housing	2	2	2	2
3	144-174BX	Diffuser	2	2	2	2
4	5152-090BX	Wheel CW	X	X	X	X
5	5152-091BX	Wheel CCW	X	X	X	X
6	105-870BX	Back Brace	X	X	X	X
7	5451-011	Grommets	6	6	6	6
8	8200-031BX	Motor Mount	X	X	X	X
9	103-401BX	Front Brace	X	X	X	X
10	113-721BX	Motor Control Bracket	X	X	X	X

X – Standard Component  
O – Optional Component

# BLOWER ASSEMBLY – LEFT



SEXP-944

Dwg No.	Part Number	Description	900-364-0150BX	900-364-0152BX	900-365-0151BX	900-365-0153BX
1	8106-068-0150BX	Blower Motor & Control (230/208V)	X			
1	8106-068-0152BX	Blower Motor & Control (230/208V)		X		
1	8106-069-0151BX	Blower Motor & Control (460V)			X	
1	8106-069-0153BX	Blower Motor & Control (460V)				X
1	C8106-068-0150	Programmed Control Only (230/208V)	0			
1	C8106-068-0152	Programmed Control Only (230/208V)		0		
1	C8106-069-0151	Programmed Control Only (460V)			0	
1	C8106-069-0153	Programmed Control Only (460V)				0
2	151-111BX	Housing	2	2	2	2
3	144-174BX	Diffuser	2	2	2	2
4	5152-090BX	Wheel CW	X	X	X	X
5	5152-091BX	Wheel CCW	X	X	X	X
6	105-870BX	Back Brace	X	X	X	X
7	5451-011	Grommets	6	6	6	6
8	8200-031BX	Motor Mount	X	X	X	X
9	103-401BX	Front Brace	X	X	X	X
10	113-761BX	Motor Control Bracket	X	X	X	X

X – Standard Component  
O – Optional Component