

---

# REPLACEMENT PARTS MANUAL

---

## Wall Mounted Packaged Heat Pump

Models:

J18HY-A      J24HY-A  
                  J24HY-B  
                  J24HY-C

---

### Contents

<u>Description</u>	<u>Page</u>
Cabinet Components	
♦ Exploded View .....	2
♦ Usage List .....	3
Functional Components	
♦ Exploded View .....	4
♦ Usage List .....	5
Control Panel – 230 Volt 1 Phase Units	
♦ Layout View .....	6
♦ Usage List .....	7
Control Panel – 230 Volt 3 Phase Units	
♦ Layout View .....	8
♦ Usage List .....	9
Control Panel – 460 Volt 3 Phase Units	
♦ Layout View .....	10
♦ Usage List .....	11
Blower Assembly	
♦ Exploded View .....	12
♦ Usage List .....	12

### General Notes

- Revised and/or additional pages may be issued from time to time.
- A complete and current manual consists of pages shown in the contents section.

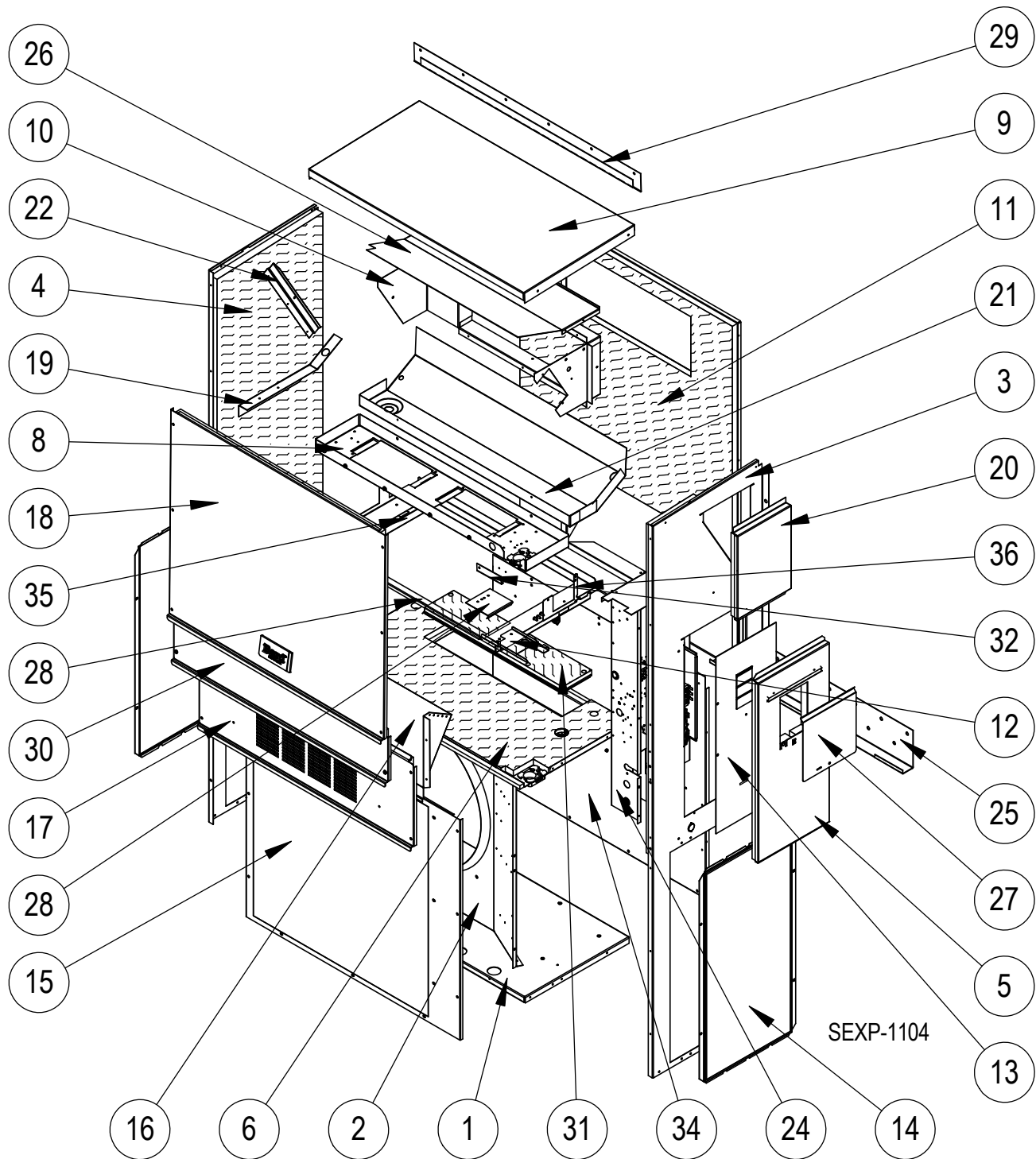
### Important

- Contact the installing and/or local Bard distributor for all parts requirements. Make sure to have the complete model and serial number available from the unit rating plates.



Manual: 2110-1582A  
Supersedes: 2110-1582  
Date: 1-4-24

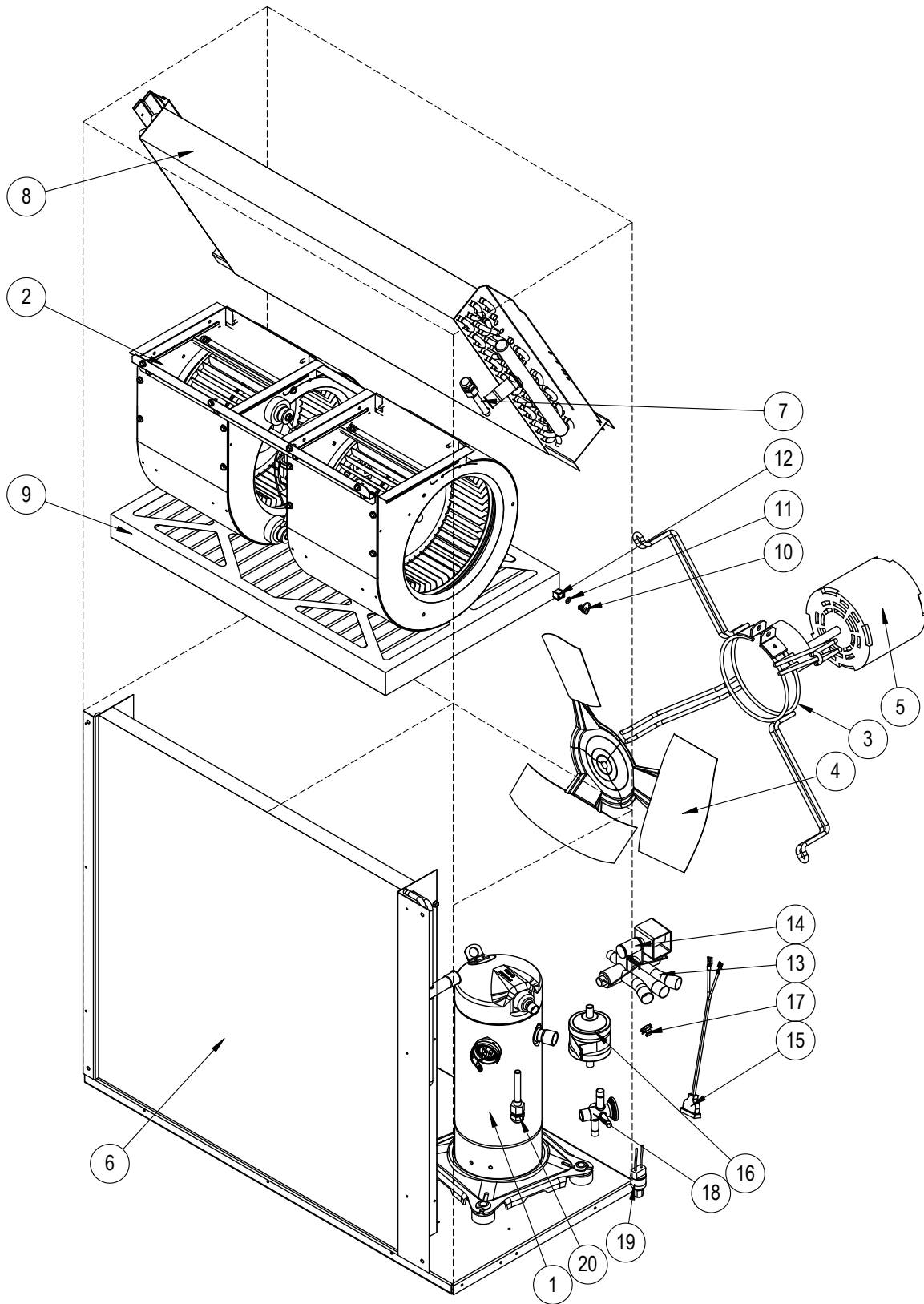
# CABINET COMPONENTS



# CABINET COMPONENTS

Dwg No.	Part Number	Description	J18HY-A	J24HY-A	J24HY-B	J24HY-C
1	127-467BX	Lower Base	X	X	X	X
2	125-080BX	Fan Shroud	X	X	X	X
3	501-933-XBX	Right Side	X	X	X	X
4	501-934-XBX	Left Side	X	X	X	X
5	533-228-XBX	Control Panel Cover (Outer)	X	X	X	X
6	521X528BX	Condenser Partition	X	X	X	X
8	121X480BX	Blower Partition	X	X	X	X
9	507-311-XBX	Top	X	X	X	X
10	111X032BX	Outlet Air Frame Assembly	X	X	X	X
11	509-445BX	Upper Back	X	X	X	X
12	137X1011BX	Filter Fill Plate	X	X	X	X
13	132-104BX	Control Panel Cover (Inner)	X	X	X	
13	132-172BX	Control Panel Cover (Inner)				X
14	118-124-XBX	Side Grille	2	2	2	2
15	118-101-XBX	Condenser Grille	X	X	X	X
16	BFAD-2	Fresh Air Damper Assembly	X	X	X	X
17	553-537-XBX	Vent Option Door	X	X	X	X
17	553-539-XBX	Vent Option Door with ERV	X	X	X	X
17	553-666-XBX	Vent Option Door with CRV or ECON-S	X	X	X	X
18	514-240-XBX	Upper Front	X	X	X	X
19	105X850BX	Side Support	X	X	X	X
20	543-175-XBX	Right Side Cover Plate (Outer)	X	X	X	X
21	123-126BX	Drain Pan	X	X	X	X
22	147-044BX	Evaporator Support	X	X	X	X
24	Control Panel Assembly	See <b>Control Panel</b> on pages 8 – 13	X	X	X	X
25	113-140BX	Bottom Mounting Bracket	X	X	X	X
26	135X127BX	Heat Shield	X	X	X	X
27	153-218-XBX	Disconnect Access Door	X	X	X	X
28	131-196BX	Filter Partition Bracket	X	X	X	X
29	113-141-XBX	Top Rain Flashing	X	X	X	X
30	553-538-XBX	Filter Door	X	X	X	X
31	536-176BX	Cond. Partition Block Off Plate	X	X	X	X
32	105-1302BX	Grommet Retainer	X	X	X	X
34	109-444BX	Lower Back	X	X	X	X
35	131-192BX	Filter Tray Angle	X	X	X	X
36	131X191BX	Filter Partition	X	X	X	X
NS	5252-035	Solair Nameplate	X	X	X	X

# FUNCTIONAL COMPONENTS



SEXP-985

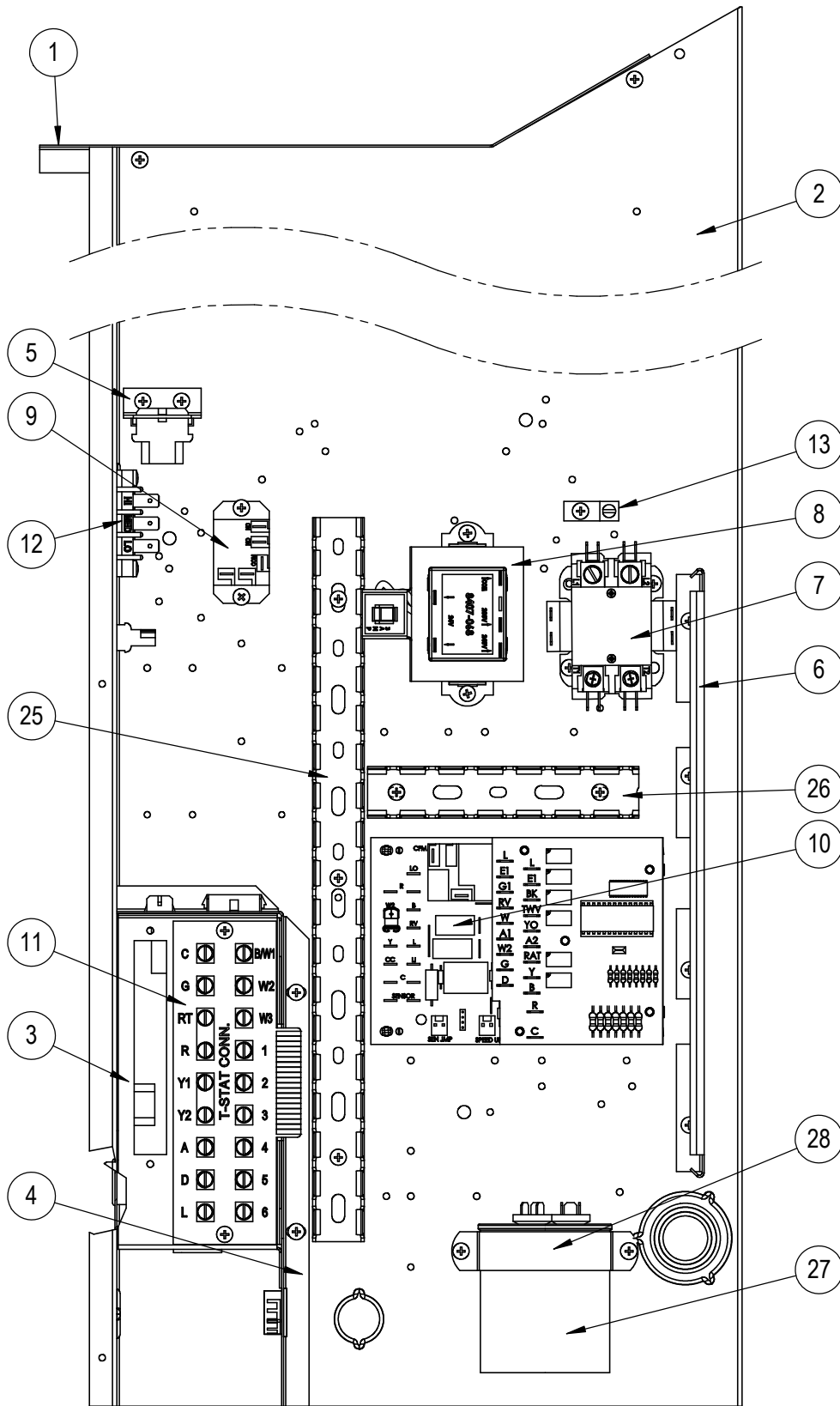
# FUNCTIONAL COMPONENTS

Dwg No.	Part Number	Description	J18HY-A	J24HY-A	J24HY-B	J24HY-C
1	8000-433BX	Compressor	X			
1	8000-441BX	Compressor		X		
1	8000-435BX	Compressor			X	
1	8000-436BX	Compressor				X
NS	3000-1224BX	Molded Compressor Wire Harness (1-PH)	X	X		
NS	3000-1231BX	Molded Compressor Wire Harness (3-PH)			X	X
2	900-358-0168BX	Blower Assembly	X			
2	900-358-0169BX	Blower Assembly		X	X	
2	900-359-0170BX	Blower Assembly				X
3	8200-001BX	Fan Motor Mount	X	X	X	X
4	5151-033BX	Fan Blade	X	X	X	
4	5151-046BX	Fan Blade				X
5	8103-028BX	Outdoor Fan Motor	X	X	X	
5	8103-030BX	Outdoor Fan Motor				X
6	917-0385BX	Outdoor Coil (Includes Distributor)	X			
6	917-0386BX	Outdoor Coil (Includes Distributor)		X	X	X
7	800-0427BX	Cooling Distributor Assembly	X			
7	800-0485BX	Cooling Distributor Assembly		X	X	X
8	917-0388BX	Indoor Coil (Includes Cooling Distributor)	X			
8	917-0399BX	Indoor Coil (Includes Cooling Distributor)		X	X	X
9	7004-025	Air Filter 16" x 25" x 2" Pleated Disposable	X	X	X	X
9	7004-011	Air Filter 16" x 25" x 1" Disposable	O	O	O	O
9	7003-032	Air Filter 16" x 25" x 1" Washable	O	O	O	O
10	1171-022	1/4 Turn Fastener	X	X	X	X
11	1171-024	1/4 Turn Retainer	X	X	X	X
12	1171-023	1/4 Turn Receptacle	X	X	X	X
13	5650-038BX	Reversing Valve w/24V Solenoid Coil	X	X	X	X
14	5650-046BX	Reversing Valve 24V Solenoid	X	X	X	X
15	5650-044BX	Molded Plug 53" Lead	X	X	X	X
16	5201-019BX	Filter Drier, Bi-Directional, 3/8" Connections	X	X	X	X
17	8620-224	Defrost Sensor Kit	X	X	X	X
18	5651-218BX	Heating Expansion Valve	X	X	X	X
19	8406-142BX	High Pressure Switch (650#) Screw On	X	X	X	X
20	5625-127BX	Heating Distributor	X	X	X	X
NS	8406-135BX	Low Pressure Switch (14#) Screw On	X	X	X	X
NS	6031-009	Coremax Valve Core (Service Port)	2	2	2	2
NS	8612-027BX	Low Ambient Fan Control (Modulating)	O			
NS	8406-105BX	Low Ambient Fan Cycling Control (280#/180#)		O	O	O
NS	8408-028BX	Outdoor Thermostat	O	O	O	O
NS	1171-028	Filter Door Clip	X	X	X	X
NS	1171-057	Filter Door Screw	X	X	X	X
NS	1171-027	Filter Door Screw Retainer	X	X	X	X
NS	CMC-29 ©	Freeze Thermostat Kit	O	O	O	O

NS – Not Shown

X – Standard Component  
O – Optional Component

# CONTROL PANEL - 230 VOLT 1 PHASE UNITS



SEXP-1119

## CONTROL PANEL – 230 VOLT 1 PHASE UNITS

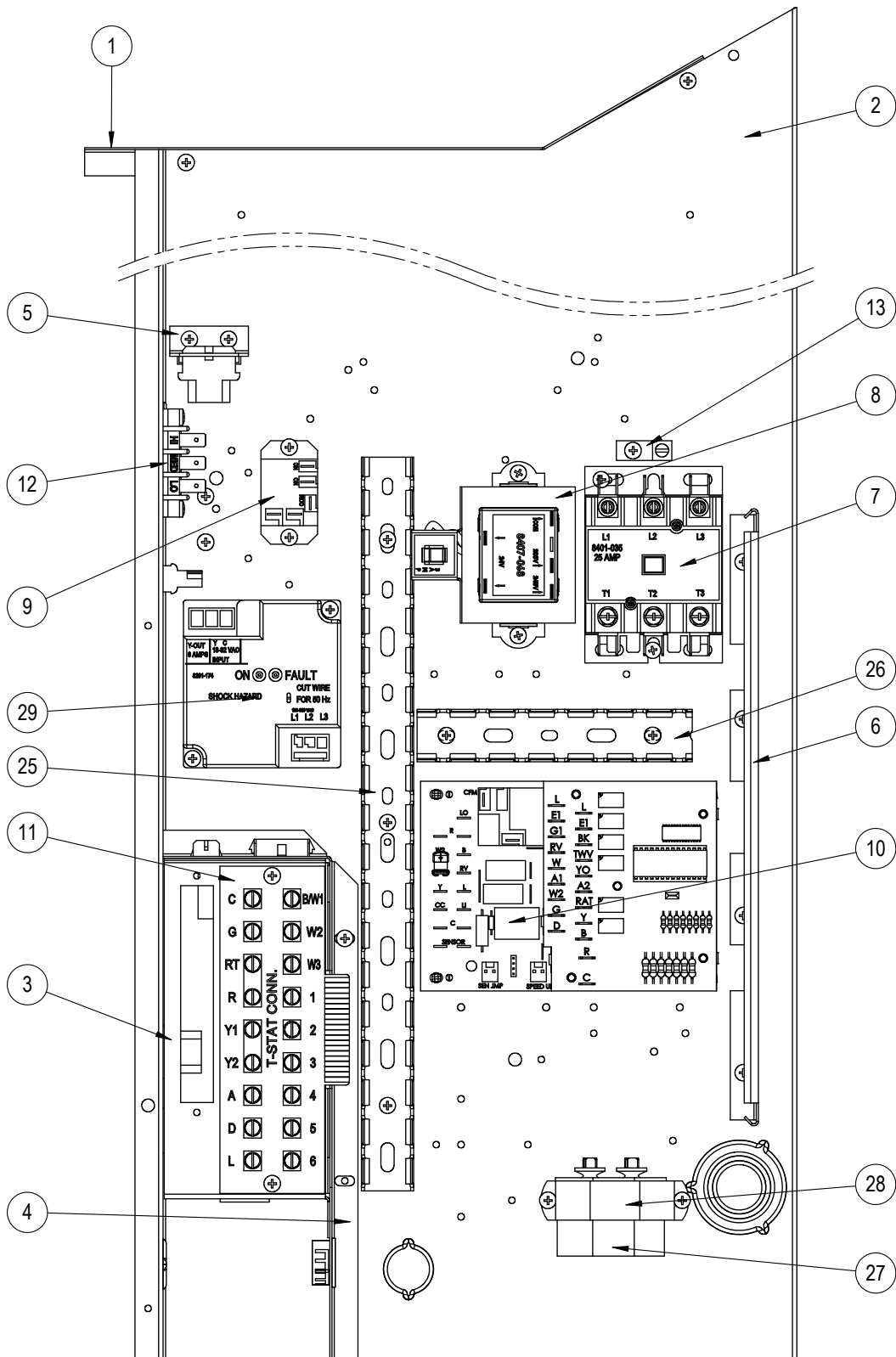
Dwg No.	Part Number	Description	J18HY-A	J24HY-A
1	117X137BX	Control Panel Top - RH (Sheet Metal Only)	X	X
2	117X374BX	Control Panel - RH (Sheet Metal Only)	X	X
3	117X375BX	Low Voltage Box - RH (Sheet Metal Only)	X	X
4	117X385BX	Low Voltage Partition - RH (Sheet Metal Only)	X	X
NS	3000-1494BX	Low Voltage Wire Harness (behind LVTS)	X	X
NS	910-2047BX	Complete Low Voltage Box Assembly (Sheet Metal, LVTS & Wire Harness)	X	X
5	141-596BX	Plug Support Bracket (Sheet Metal)	X	X
6	135-122BX	Wire Shield (Sheet Metal)	X	X
7	8401-033BX	Contactors 2-Pole	X	X
8	8407-068BX	Transformer 208/240-24, 50VA	X	X
9	8201-130BX	Relay, SPDT	X	X
10	8620-223	Defrost Board Replacement Kit w/Sensor	X	X
11	8607-044BX	Terminal Strip	X	X
12	8607-042BX	Blower Speed Terminal	X	X
13	8611-006	Ground Lug	X	X
25	8611-140-1400	14" Cable Duct	X	X
26	8611-140-0500	5" Cable Duct	X	X
27	8552-047BX	Capacitor 30+5/370 V, 2-1/2" Round	X	
27	8552-050BX	Capacitor 40+5/370 V, 2-1/2" Round		X
28	8550-008	Capacitor Strap, 2-1/2" Round	X	X
NS	3003-132BX	Main Control Panel Wire Harness	X	X
NS	8201-086BX	LAC and/or ODT Relay	O	O
NS	8408-028BX	Outdoor Thermostat	O	O
NS	3000-1598BX	Blower Power Plug	X	X
NS	3000-1599BX	Blower Speed Plug	X	X
NS	4096-189	Wiring Diagram	X	X

NS – Not Shown

X – Standard Component

O – Optional Component

# CONTROL PANEL – 230 VOLT 3 PHASE UNITS



SEXP-1120



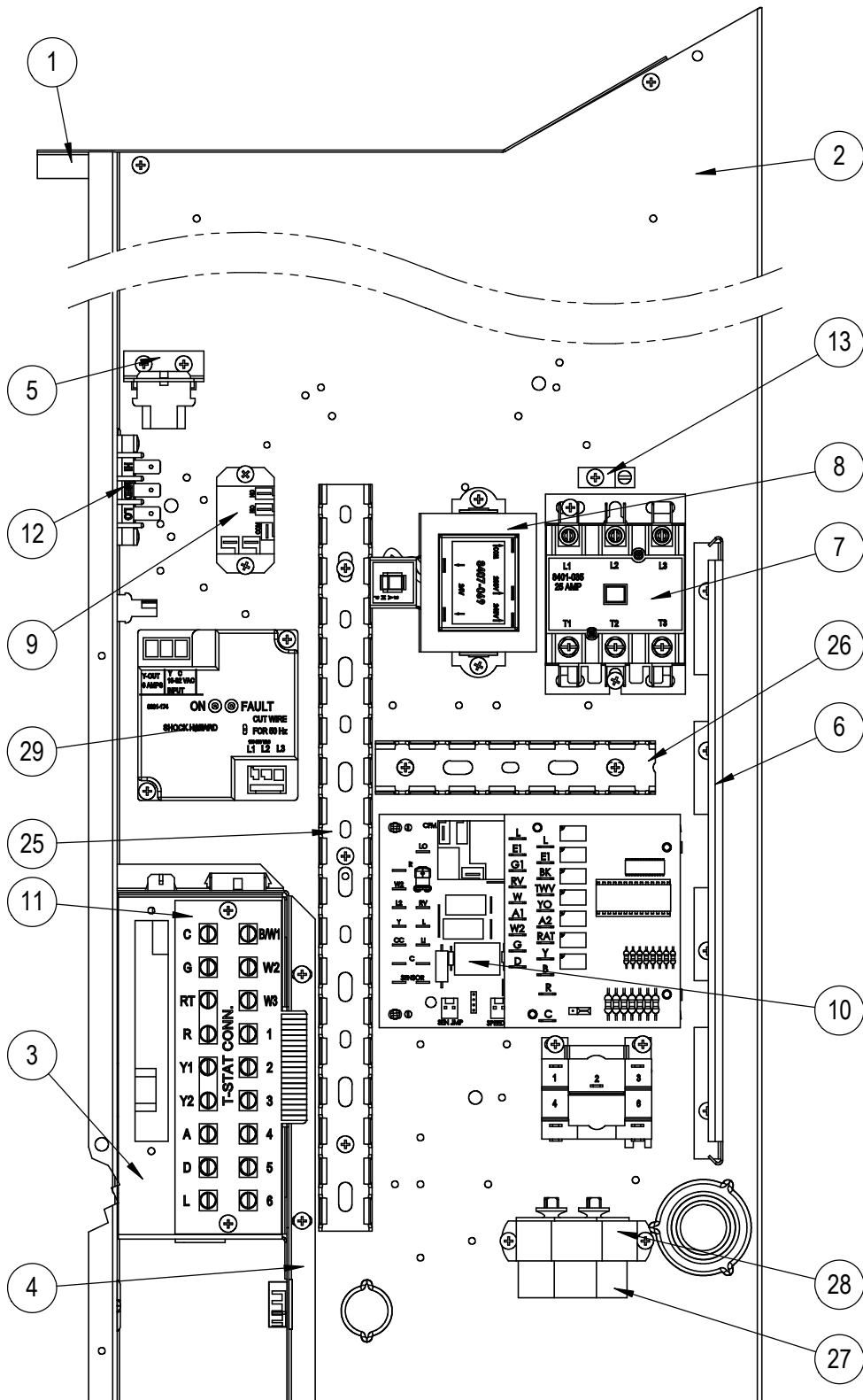
## CONTROL PANEL – 230 VOLT 3 PHASE UNITS

Dwg No.	Part Number	Description	J24HY-B
1	117X137BX	Control Panel Top - RH (Sheet Metal Only)	X
2	117X374BX	Control Panel - RH (Sheet Metal Only)	X
3	117X375BX	Low Voltage Box - RH (Sheet Metal Only)	X
4	117X385BX	Low Voltage Partition - RH (Sheet Metal Only)	X
NS	3000-1494BX	Low Voltage Wire Harness (behind LVTS)	X
NS	910-2047BX	Complete Low Voltage Box Assembly (Sheet Metal, LVTS & Wire Harness)	X
5	141-596BX	Plug Support Bracket (Sheet Metal)	X
6	135-122BX	Wire Shield (Sheet Metal)	X
7	8401-035BX	Contactactor 3-Pole	X
8	8407-068BX	Transformer 208/240-24, 50VA	X
9	8201-130BX	Relay, SPDT	X
10	8620-223	Defrost Board Replacement Kit w/Sensor	X
11	8607-044BX	Terminal Strip	X
12	8607-042BX	Blower Speed Terminal	X
13	8611-006	Ground Lug	X
25	8611-140-1400	14" Cable Duct	X
26	8611-140-0500	5" Cable Duct	X
27	8552-002BX	Capacitor 5/370 V, 1-1/4" Oval	X
28	8550-003	Capacitor Strap, 1-1/4" Oval	X
29	8201-174BX	3 Phase Line Monitor	X
NS	3003-133BX	Main Control Panel Wire Harness	X
NS	8201-086BX	LAC and/or ODT Accessory Relay	O
NS	8408-028BX	Outdoor Thermostat	O
NS	3000-1598BX	Blower Power Plug	X
NS	3000-1599BX	Blower Speed Plug	X
NS	4096-289	Wiring Diagram	X

NS – Not Shown

X – Standard Component  
O – Optional Component

# CONTROL PANEL - 460 VOLT 3 PHASE UNITS



SEXP-1121

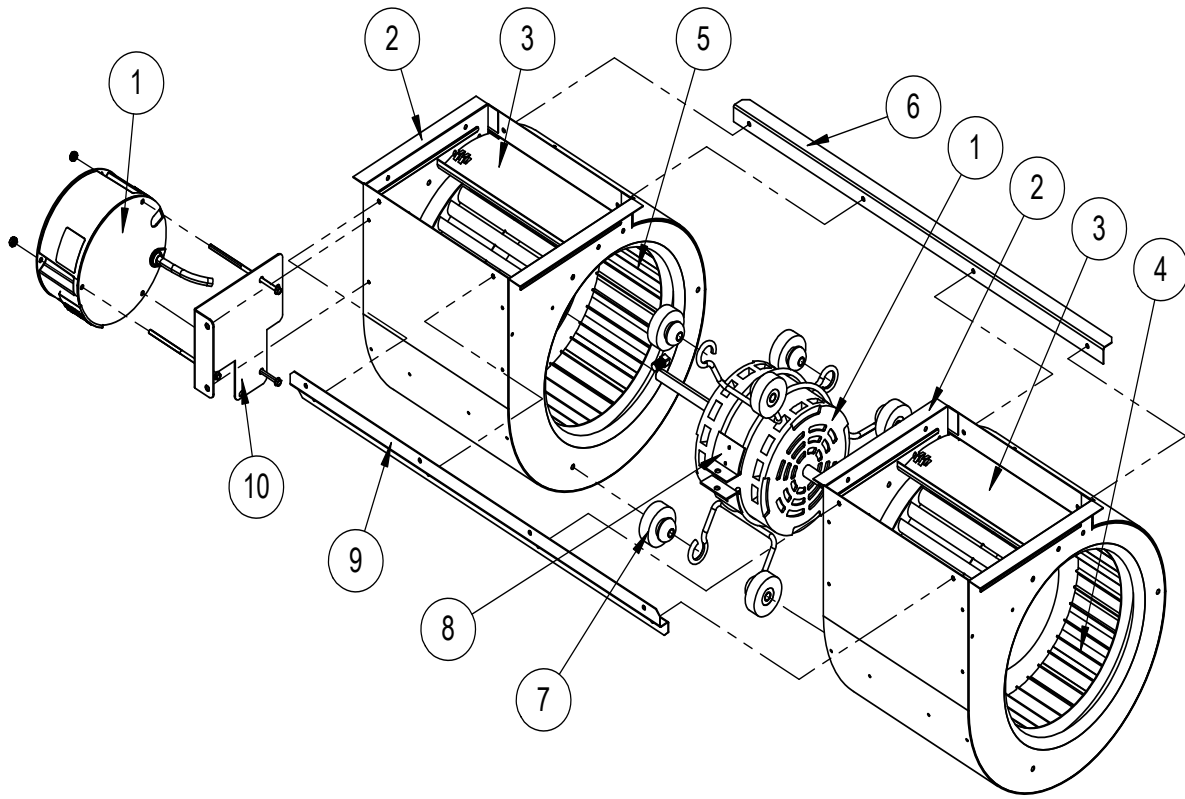
## CONTROL PANEL – 460 VOLT 3 PHASE UNITS

Dwg No.	Part Number	Description	J24HY-C
1	117X137BX	Control Panel Top - RH (Sheet Metal Only)	X
2	117X374BX	Control Panel - RH (Sheet Metal Only)	X
3	117X375BX	Low Voltage Box - RH (Sheet Metal Only)	X
4	117X385BX	Low Voltage Partition - RH (Sheet Metal Only)	X
NS	3000-1494BX	Low Voltage Wire Harness (behind LVTS)	X
NS	910-2047BX	Complete Low Voltage Box Assembly (Sheet Metal, LVTS & Wire Harness)	X
5	141-596BX	Plug Support Bracket (Sheet Metal)	X
6	135-122BX	Wire Shield (Sheet Metal)	X
7	8401-035BX	Contactactor 3-Pole	X
8	8407-069BX	Transformer 480-24, 50VA	X
9	8201-032BX	Relay, SPDT, 3 FLA@480V	X
10	8620-223	Defrost Board Replacement Kit w/Sensor	X
11	8607-044BX	Terminal Strip	X
12	8607-042BX	Blower Speed Terminal	X
13	8611-006	Ground Lug	X
25	8611-140-1400	14" Cable Duct	X
26	8611-140-0500	5" Cable Duct	X
27	8552-002BX	Capacitor 5/370 V, 1-1/4" Oval	X
28	8550-003	Capacitor Strap, 1-1/4" Oval	X
29	8201-174BX	3 Phase Line Monitor	X
NS	3003-134	Main Control Panel Wire Harness	X
NS	8201-086BX	LAC and/or ODT Accessory Relay	O
NS	8408-028BX	Outdoor Thermostat	O
NS	3000-1598BX	Blower Power Plug	X
NS	3000-1599BX	Blower Speed Plug	X
NS	4096-389	Wiring Diagram	X

NS – Not Shown

X – Standard Component  
O – Optional Component

# BLOWER ASSEMBLY



SEXP-909

Dwg No.	Part Number	Description	900-358-0168BX	900-358-0169BX	900-359-0170BX
1	8105-064-0168BX	Blower Motor & Control (230/208V)	X		
1	8105-064-0169BX	Blower Motor & Control (230/208V)		X	
1	8105-065-0170BX	Blower Motor & Control (460V)			X
1	C8105-064-0168	Programmed Control Only (230/208V)	0		
1	C8105-064-0169	Programmed Control Only (230/208V)		0	
1	C8105-065-0170	Programmed Control Only (460V)			0
2	151-115BX	Housing	2	2	2
3	144-183BX	Cutoff	X	X	X
4	5152-092BX	Wheel 9-6 CW	X	X	X
5	5152-093BX	Wheel 9-6 CCW	X	X	X
6	105-1061BX	Back Brace	X	X	X
7	5451-011	Grommets	6	6	6
8	8200-031BX	Motor Mount	X	X	X
9	103-435BX	Front Brace	X	X	X
10	113-721BX	Motor Control Bracket	X	X	X

X – Standard Component  
O – Optional Component