
REPLACEMENT PARTS MANUAL

Wall Mount Heat Pump

Models:

J42HY-A	J48HY-A	J60HY-A
J42HY-B	J48HY-B	J60HY-B
J42HY-C	J48HY-C	J60HY-C

Contents

Description	Page
External Parts	
♦ Exploded View	2
♦ Usage List	3
Internal Parts	
♦ Exploded View	4
♦ Usage List	5
Functional Components	
♦ Exploded View	6
♦ Usage List	7
Control Panel	
♦ Layout View	8
♦ Usage List	9
Blower Assembly	
♦ Exploded View	10
♦ Usage List	10

General Notes

- Revised and/or additional pages may be issued from time to time.
- A complete and current manual consists of pages shown in the following contents section.

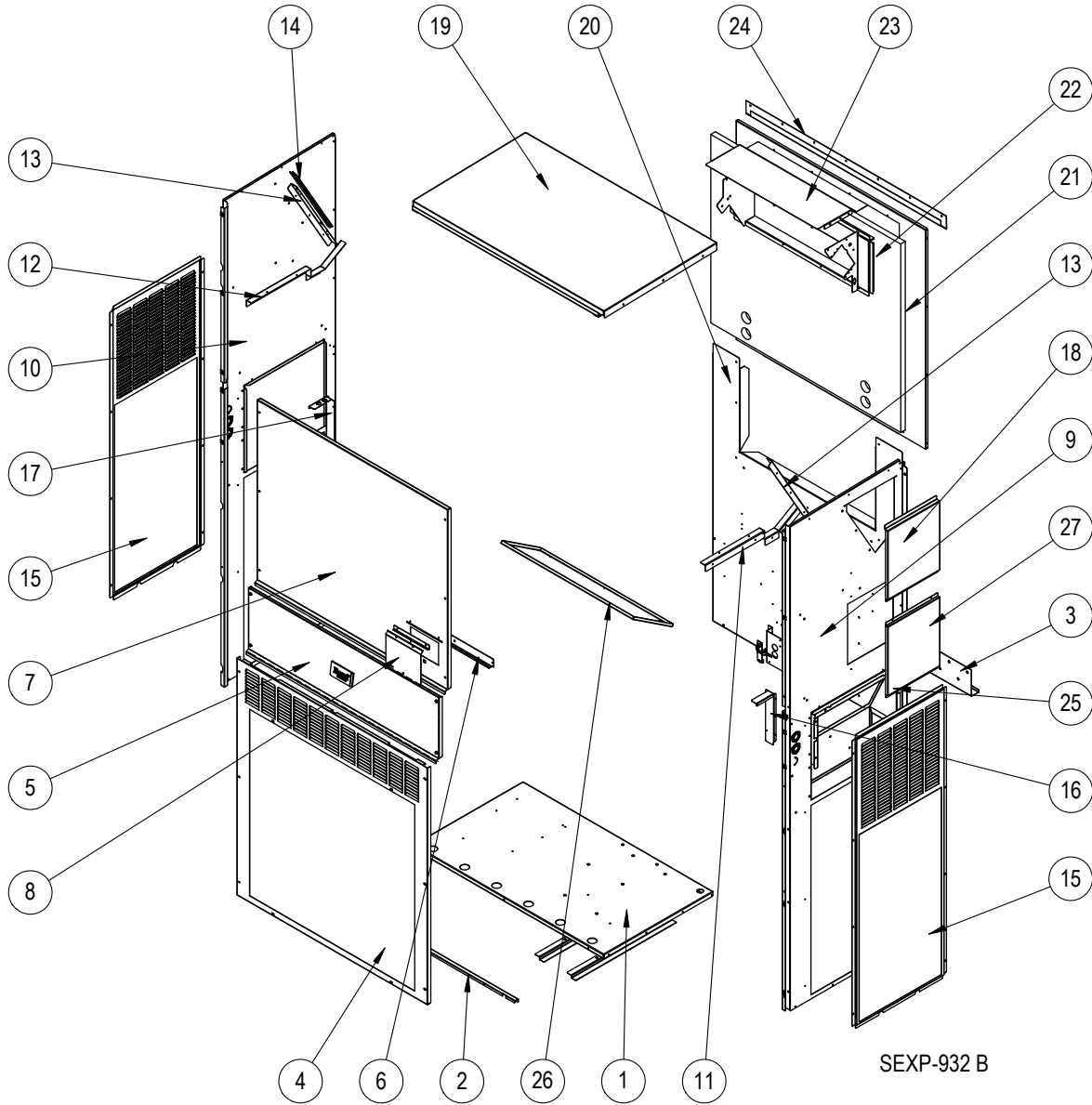
Important

- Contact the installing and/or local Bard distributor for all parts requirements. Make sure to have the complete model and serial number available from the unit rating plates.



Manual: 2110-1584
Supersedes: **NEW**
Date: 10-16-23

EXTERNAL PARTS

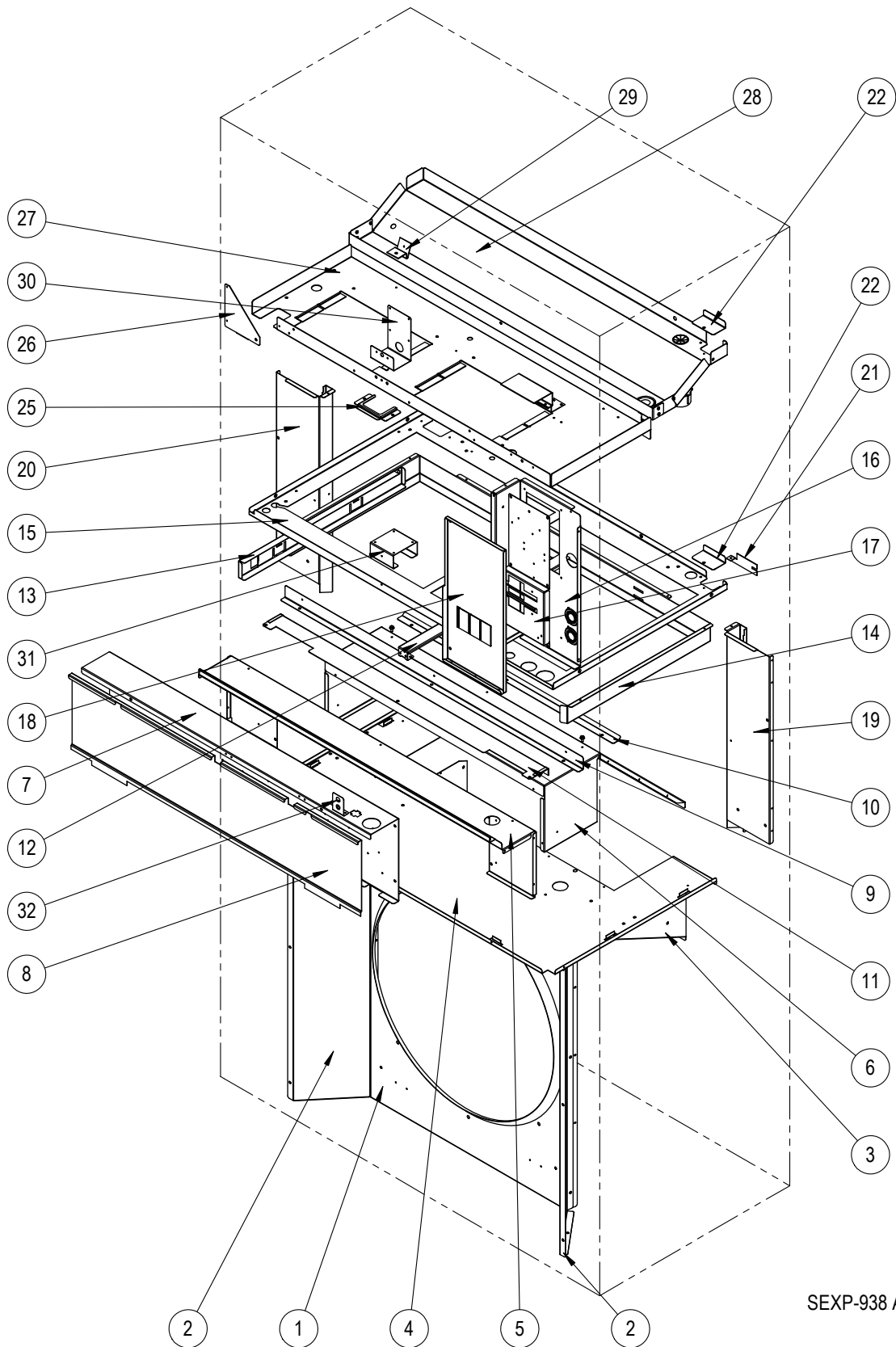


EXTERNAL PARTS

Dwg No.	Part Number	Description	J42HY-A, B, C	J48HY-A, B, C	J60HY-A, B, C
1	127-574BX	Unit Base	X	X	X
2	113-762BX	Front Base Bracket	X	X	X
3	113-140BX	Bottom Mounting Bracket	X	X	X
4	119-125-XBX	Front Grille	X	X	
4	119-127-XBX	Front Grille			X
5	533-352-XBX	Control Panel Cover (Outer)	X	X	X
6	165-608-XBX	Rain Channel	X	X	X
7	515-323-XBX	Upper Front	X	X	
7	515-324-XBX	Upper Front			X
8	153-717-XBX	Disconnect Access Door	X	X	X
9	501-1127-XBX	Right Side	X	X	
9	501-1130-XBX	Right Side			X
10	501-1054-XBX	Left Side	X	X	
10	501-1056-XBX	Left Side			X
11	105X1454BX	Right Support Angle	X	X	X
12	105Y1454BX	Left Support Angle	X	X	X
13	105-1457BX	Coil Support	2	2	
13	105-1455BX	Coil Support			2
14	147-055BX	Coil Support Offset	X	X	
14	147-054BX	Coil Support Offset			X
15	119-126-XBX	Side Grille	2	2	
15	119-128-XBX	Side Grille			2
16	105-1450BX	Right Control Panel Angle	X	X	X
17	105-1451BX	Left Control Panel Angle	X	X	X
18	543-221-XBX	Heater Access Cover	X	X	X
19	507-382-XBX	Top	X	X	X
20	109-412BX	Lower Back	X	X	
20	109-414BX	Lower Back			X
21	509-411BX	Upper Back	X	X	
21	509-413BX	Upper Back			X
22	111-299BX	Outlet Air Frame Assembly	X	X	X
23	535-129BX	Heat Shield	X	X	X
24	113-150-XBX	Top Rain Flashing	X	X	X
25	539-406BX	Fresh Air Damper Assembly	X	X	X
26	543-220BX	Exhaust Blank Off Plate	X	X	X
27	543-248-XBX	Access Cover	X	X	X
NS	5252-035BX	Solair Nameplate	X	X	X

NS = Not Shown

INTERNAL PARTS



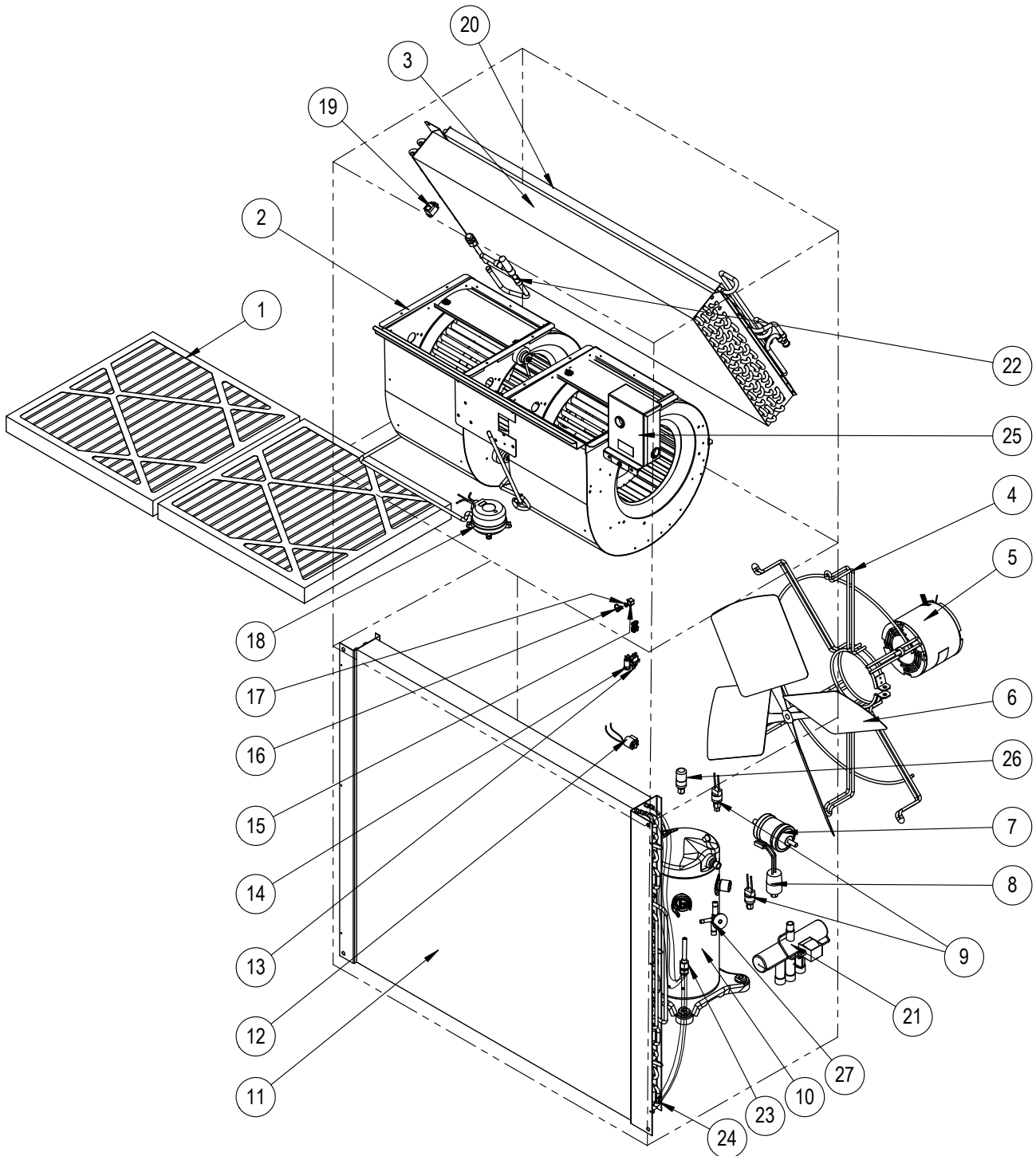
SEXP-938 A

INTERNAL PARTS

Dwg No.	Part Number	Description	J42HY-A, B	J42HY-C	J48HY-A, B	J48HY-C	J60HY-A, B	J60HY-C
1	125-089BX	Fan Shroud	X	X	X	X		
1	125-091BX	Fan Shroud					X	X
2	125-090BX	Fan Shroud Side Access Cover	2	2	2	2		
2	125-092BX	Fan Shroud Side Access Cover					2	2
3	121-586BX	Condenser Partition Insert	X	X	X	X	X	X
4	121-585BX	Condenser Partition	X	X	X	X	X	X
5	521-630BX	Front Exhaust Partition	X	X	X	X	X	X
6	521-587BX	Exhaust Partition	X	X	X	X	X	X
7	Control Panel Assy.	See Control Panel on pages 8 and 9	X	X	X	X	X	X
8	133-330BX	Control Panel Cover (Inner)	X	X	X	X	X	X
9	105-1453BX	Front Vent Guide Rail	X	X	X	X	X	X
10	105-1452BX	Vent Guide Rail	X	X	X	X	X	X
11	135-409BX	Field Wire Shield	X	X	X	X	X	X
12	131-168BX	Filter Support Bracket	2	2	2	2	2	2
13	131-170BX	Filter Slide	X	X	X	X	X	X
14	131-169BX	Filter Rack Frame	X	X	X	X	X	X
15	121-583BX	Filter Partition	X	X	X	X	X	X
16	117-412BX	Upper Control Panel	X	X	X	X	X	X
17	127-575BX	Circuit Breaker Base	X		X		X	
17	127-585BX	Circuit Breaker Base - 460V		X		X		X
18	133-303BX	Upper Control Panel Cover	X		X		X	
18	133-304BX	Upper Control Panel Cover - 460V		X		X		X
19	135X393BX	Right Copper Chase	X	X	X	X	X	X
20	135Y393BX	Left Copper Chase	X	X	X	X	X	X
21	113-796BX	Copper Retainer	2	2	2	2	2	2
22	137-920BX	Copper Fill Plate	2	2	2	2	2	2
25	113-765BX	Grommet Retainer	X	X	X	X	X	X
26	141-492BX	Blower Partition Support	X	X	X	X	X	X
27	121-582BX	Blower Partition	X	X	X	X	X	X
28	523-161BX	Drain Pan	X	X	X	X	X	X
NS	113-809BX	Heating Expansion Valve Bracket	X	X	X	X	X	X
NS	113-381BX	TXV Bulb Bracket	X	X	X	X	X	X

NS = Not Shown

FUNCTIONAL COMPONENTS



SEXP-1001 A

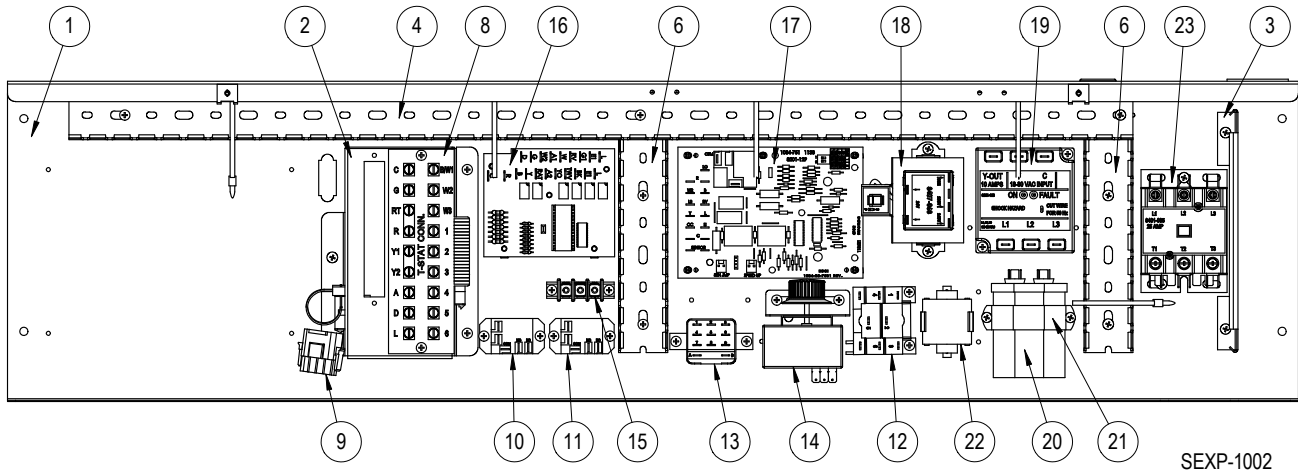
FUNCTIONAL COMPONENTS

Dwg No.	Part Number	Description	J42HY-A	J42HY-B	J42HY-C	J48HY-A	J48HY-B	J48HY-C	J60HY-A	J60HY-B	J60HY-C
1	7004-052	Air Filter 2" Merv 8 (20 x 20 x 2)	2	2	2	2	2	2	2	2	2
2	900-366-0185BX	Blower Assembly	X	X							
2	900-367-0176BX	Blower Assembly - 460V			X						
2	900-368-0177BX	Blower Assembly				X	X				
2	900-369-0178BX	Blower Assembly - 460V						X			
2	900-368-0179BX	Blower Assembly							X	X	
2	900-369-0180BX	Blower Assembly - 460V									X
3	917-0403BX	Indoor Coil w/Distributor Assy.	X	X	X						
3	917-0407BX	Indoor Coil w/Distributor Assy.				X	X	X			
3	917-0411BX	Indoor Coil w/Distributor Assy.							X	X	X
4	8200-004BX	Fan Motor Mount	X	X	X	X	X	X	X	X	X
5	8105-068BX	Condenser Motor	X	X		X	X		X	X	
5	8105-071BX	Condenser Motor - 460V			X			X			X
6	5151-060BX	Fan Blade	X	X	X	X	X	X	X	X	X
7	5201-020BX	Filter Drier	X	X	X	X	X	X	X	X	X
8	CMH-35	Low Ambient Control (LAC) Kit	0	0	0	0	0	0	0	0	0
9	8406-142BX	High Pressure Switch	X	X	X	X	X	X	X	X	X
9	8406-135BX	Low Pressure Switch	X	X	X	X	X	X	X	X	X
10	8000-349BX	Compressor	X								
10	8000-350BX	Compressor		X							
10	8000-351BX	Compressor			X						
10	8000-332BX	Compressor				X					
10	8000-333BX	Compressor					X				
10	8000-334BX	Compressor						X			
10	8000-421BX	Compressor							X		
10	8000-422BX	Compressor								X	
10	8000-423BX	Compressor									X
11	917-0413BX	Outdoor Coil (Includes Distributor)	X	X	X						
11	917-0415BX	Outdoor Coil (Includes Distributor)				X	X	X			
11	917-0417BX	Outdoor Coil (Includes Distributor)							X	X	X
15	1171-023	1/4 Turn Receptacle	X	X	X	X	X	X	X	X	X
16	1171-022	1/4 Turn Fastener	X	X	X	X	X	X	X	X	X
17	1171-024	1/4 Turn Retainer	X	X	X	X	X	X	X	X	X
21	5650-040	Reversing Valve	X	X	X	X	X	X	X	X	X
22	800-0465BX	Distributor Assembly - Indoor Coil	X	X	X						
22	800-0468BX	Distributor Assembly - Indoor Coil							X	X	X
22	800-0488BX	Distributor Assembly - Indoor Coil				X	X	X			
23	800-0424BX	Distributor Assembly - Outdoor Coil	X	X	X						
23	800-0445BX	Distributor Assembly - Outdoor Coil							X	X	X
23	800-0467BX	Distributor Assembly - Outdoor Coil				X	X	X			
24	8620-044BX	Defrost Thermistor Sensor							X	X	X
24	8620-225BX	Defrost Thermistor Sensor Kit	X	X	X	X	X	X			
27	5651-210BX	Heating Expansion Valve	X	X	X						
27	5651-211BX	Heating Expansion Valve				X	X	X	X	X	X
NS	5650-042BX	Rev. Valve Solenoid, Red Casing (Ranco)	X	X	X	X	X	X	X	X	X
NS	5650-046BX	Rev. Valve Solenoid, Black Casing (San Hua)	X	X	X	X	X	X	X	X	X
NS	5451-024	Tubing Isolation Grommet	2	2	2	2	2	2	2	2	2
NS	6031-009	Coremax Valve Core	2	2	2	2	2	2	2	2	2
NS	1171-070	Control Panel Door Clip	4	4	4	4	4	4	4	4	4
NS	1171-068	Control Panel Door Screw	4	4	4	4	4	4	4	4	4
NS	1171-069	Control Panel Door Screw Retainer	4	4	4	4	4	4	4	4	4
NS	5650-054BX	Molded Plug for Rev/Dehum Valves	X	X	X	X	X	X	X	X	X

NS = Not Shown

X – Standard Component
O – Optional Component

CONTROL PANEL



SEXP-1002

CONTROL PANEL

Dwg No.	Part Number	Description	J42HY-A	J42HY-B	J42HY-C	J48HY-A	J48HY-B	J48HY-C	J60HY-A	J60HY-B	J60HY-C
1	117-411BX	Control Panel	X	X	X	X	X	X	X	X	X
2	910-2061BX	Complete Low Voltage Box Assembly (Sheet metal, Terminal Strip, & Wire Harness)	X	X	X	X	X	X	X	X	X
3	135-394BX	Wire Shield	X	X	X	X	X	X	X	X	X
4	8611-244-3208BX	Cable Duct - 32.5"	X	X	X	X	X	X	X	X	X
6	8611-244-0608BX	Cable Duct - 6.5"	2	2	2	2	2	2	2	2	2
8	8607-063BX	Low Voltage Terminal Strip - 18 term.	X	X	X	X	X	X	X	X	X
9	3000-1524BX	Vent Jumper Plug (used when no vent option)	X	X	X	X	X	X	X	X	X
11	8201-130BX	Blower Speed Relay	X	X	X	X	X	X	X	X	X
12	8201-086BX	OD T-Stat/LAC Relay (LAC Kit = CMH-35)	X	X	X	X	X	X	X	X	X
15	8607-042BX	Blower Speed Terminal Block	X	X	X	X	X	X	X	X	X
17	8620-223	Defrost Logic Control Board w/Sensor	X	X	X	X	X	X	X	X	X
18	8407-068BX	Transformer	X	X		X	X		X	X	
18	8407-069BX	Transformer			X			X			X
19	8201-174BX	Phase Monitor		X	X		X	X		X	X
20	8552-079BX	Compressor Capacitor	X			X			X		
20	8552-089BX	Compressor Capacitor		X			X			X	
20	8552-005BX	Outdoor Motor Capacitor			X			X			X
20	8552-004BX	Outdoor Motor Capacitor									X
21	8550-008BX	Capacitor Strap	X			X			X		
21	8550-003BX	Capacitor Strap		X	X		X	X		X	X
23	8401-034BX	Compressor Contactor	X			X			X		
23	8401-035BX	Compressor Contactor		X	X		X	X		X	X
NS	8615-039BX	Circuit Breaker 45A 2 Pole ①	0								
NS	8615-040BX	Circuit Breaker 50A 2 Pole ①				0			0		
NS	8615-041BX	Circuit Breaker 60A 2 Pole ①								0	
NS	8615-042BX	Circuit Breaker 35A 3 Pole ①		0			0				0
NS	8615-043BX	Circuit Breaker 40A 3 Pole ①								0	
NS	8615-067BX	Toggle Disconnect			0			0			0
NS	4096-168	Wiring Diagram	X			X			X		
NS	4096-169	Wiring Diagram		X			X			X	
NS	4096-270	Wiring Diagram									X
NS	4096-271	Wiring Diagram			X			X			
NS	4096-368	Wiring Diagram						X			
NS	4096-369	Wiring Diagram									X
NS	3000-1613BX	Blower Power Plug	X	X	X	X	X	X	X	X	X
NS	3000-1614BX	Blower Speed Plug	X	X	X	X	X	X	X	X	X
NS	3000-1222BX	Compressor Plug/Harness	X			X			X		
NS	3000-1230BX	Compressor Plug/Harness		X	X		X	X		X	X
NS	3003-064BX	Control Panel Wire Harness	X			X			X		
NS	3003-065BX	Control Panel Wire Harness		X			X			X	
NS	3003-066BX	Control Panel Wire Harness			X			X			X
NS	3000-1608BX	Low Voltage Terminal Block Wire Harness	X	X	X	X	X	X	X	X	X
NS	8201-032BX	Outdoor Fan Relay (located where start device shown)			X			X			X

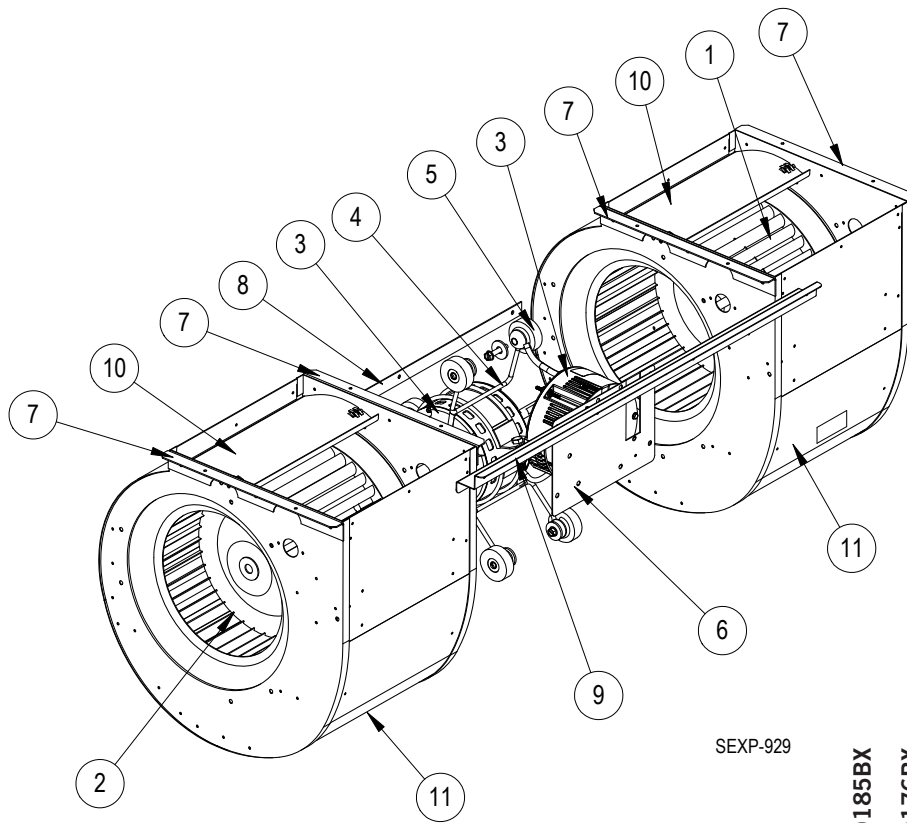
NS = Not Shown

① Circuit breakers listed are for units without electric heat, "OZ" models.
See heater replacement parts manual for units with electric heat.

X – Standard Component

O – Optional Component

BLOWER ASSEMBLY



SEXP-929

Dwg No.	Part Number	Description	900-366-0185BX	900-367-0176BX	900-368-0177BX	900-368-0179BX	900-369-0178BX	900-369-0180BX
1	5152-011BX	10 Inch Wheel (CW)	X	X	X	X	X	X
2	5152-012BX	10 Inch Wheel (CW)	X	X	X	X	X	X
3	8106-068-0185BX	Programmed Blower Motor & Control (230/208V)	X					
3	8106-069-0176BX	Programmed Blower Motor & Control (460V)		X				
3	8107-028-0177BX	Programmed Blower Motor & Control (230/208V)			X			
3	8107-028-0179BX	Programmed Blower Motor & Control (230/208V)				X		
3	8107-029-0178BX	Programmed Blower Motor & Control (460V)					X	
3	8107-029-0180BX	Programmed Blower Motor & Control (460V)						X
3	C8106-074-0185	Programmed Control Only (230/208V)	0					
3	C8106-075-0176	Programmed Control Only (460V)		0				
3	C8107-030-0177	Programmed Control Only (230/208V)			0			
3	C8107-030-0179	Programmed Control Only (230/208V)				0		
3	C8107-031-0178	Programmed Control Only (460V)					0	
3	C8107-031-0180	Programmed Control Only (460V)						0
4	8200-040BX	Motor Mount	X	X	X	X	X	X
5	5451-011	Grommets	6	6	6	6	6	6
6	112-775BX	Motor Control Bracket	X	X	X	X	X	X
7	105-880BX	Side Angle	4	4	4	4	4	4
8	105-881BX	Back Brace	X	X	X	X	X	X
9	103-541BX	Front Mounting Offset	X	X	X	X	X	X
10	144-166BX	Diffuser	2	2	2	2	2	2
11	151-101BX	Blower Housing	2	2	2	2	2	2

X – Standard Component
O – Optional Component